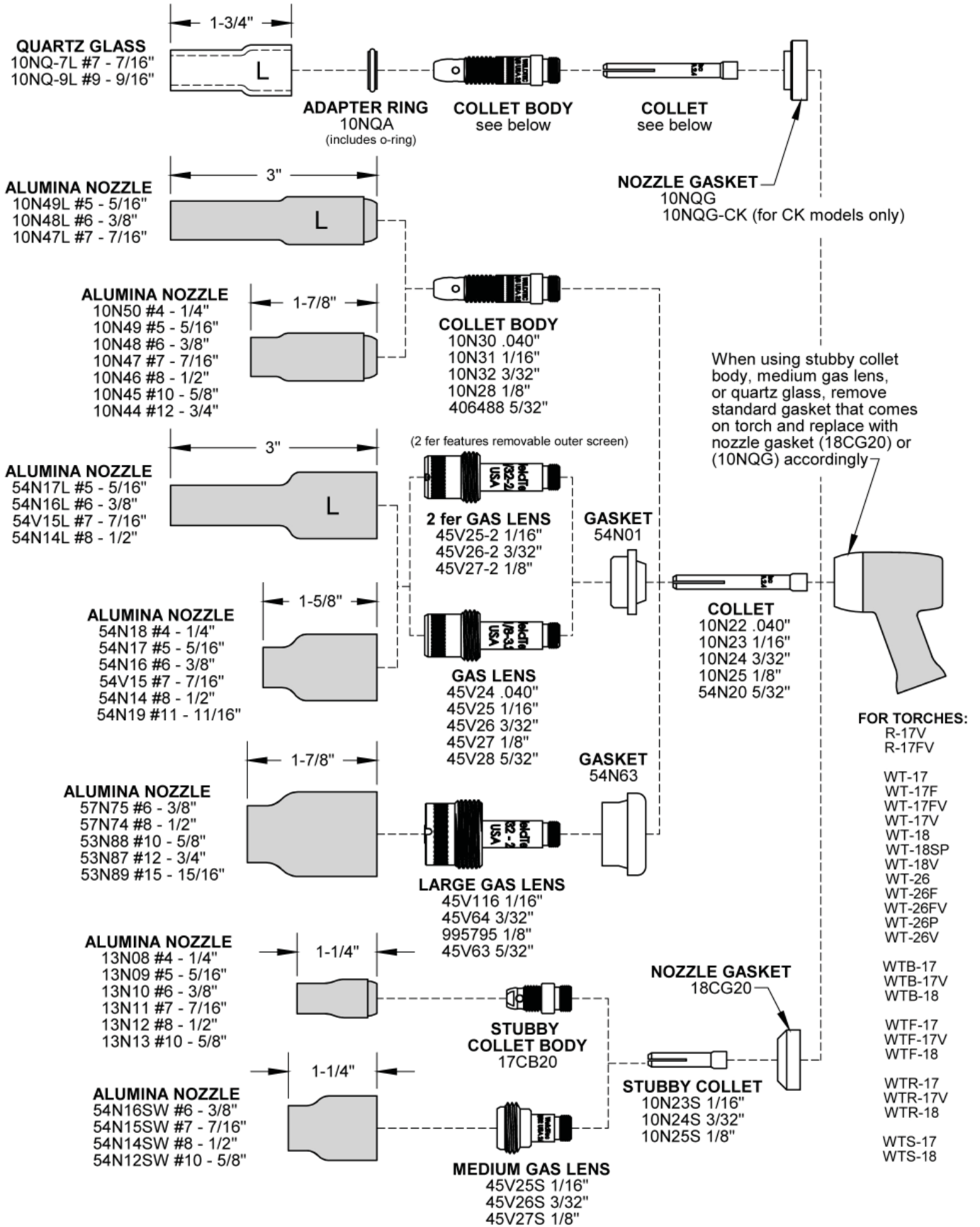
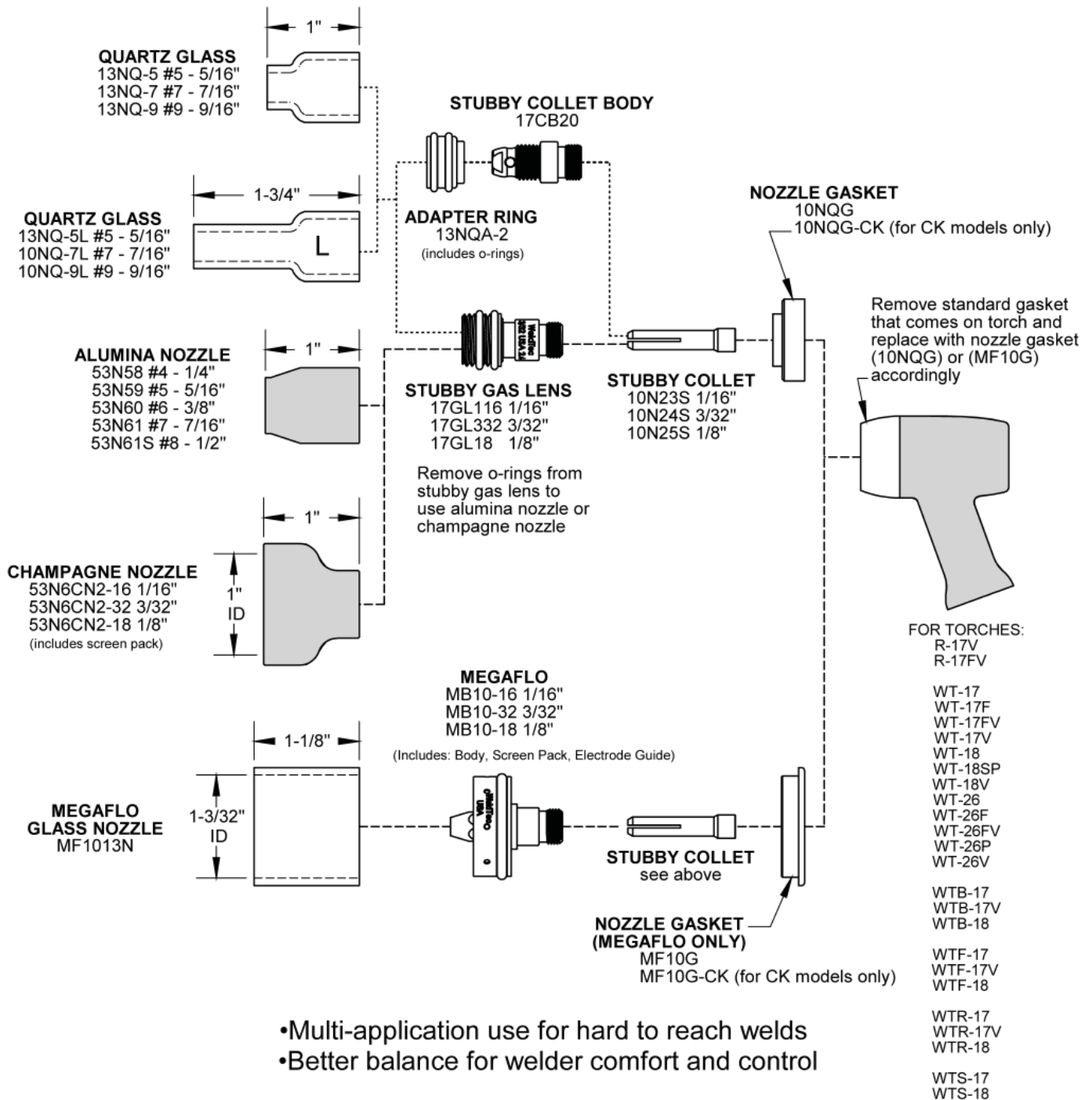


FOR WT-17, 18 & 26 SERIES, i-HEAD 17 & 18 SERIES,
STUBBY 17 & 18 SERIES,ROCKER 17V & 17FV SERIES



FOR WT-17, 18 & 26 SERIES, i-HEAD 17 & 18 SERIES,
STUBBY 17 & 18 SERIES,ROCKER 17V & 17FV SERIES



- Multi-application use for hard to reach welds
- Better balance for welder comfort and control



WT-17V - CHAMPAGNE NOZZLE

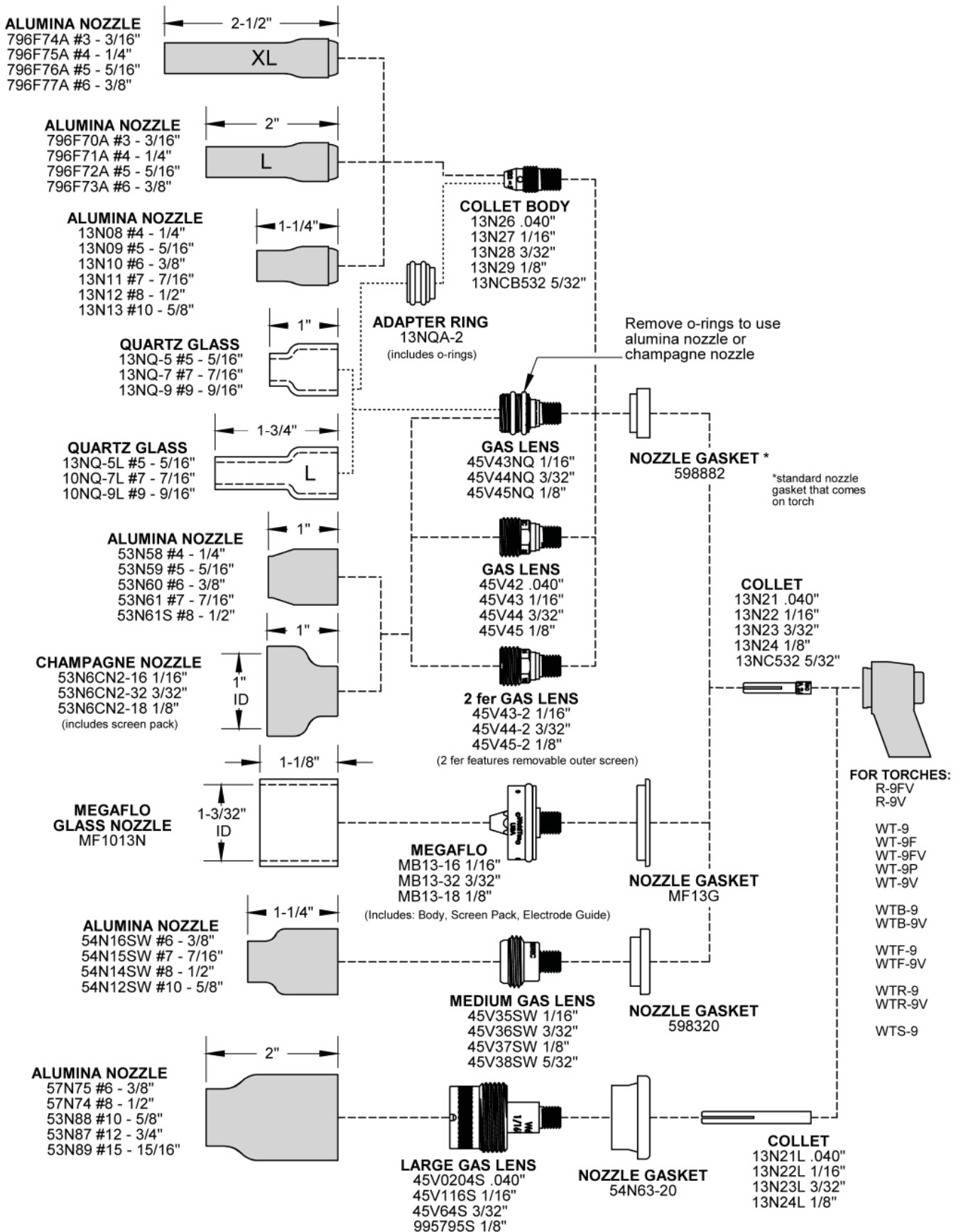


WT-17V - MEGAFLO NOZZLE



WT-17V - QUARTZ NOZZLE

FOR WT-9 SERIES, i-HEAD 9 SERIES, STUBBY 9 SERIES, ROCKER 9V & 9FV



FOR WT-20 SERIES, i-HEAD 20 SERIES, STUBBY 20 SERIES, SPEEDWAY SW-320

