

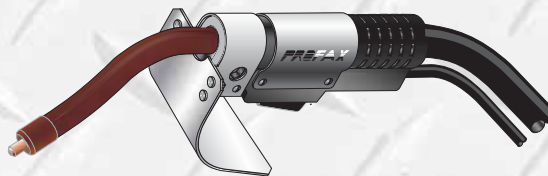


PROFAX

1260 SELF SHIELD FLUX CORE GUN

PROFAX NO	LINCOLN PART NO	WIRE SIZES
1260 Gun		.035", .045", 1/16", .068, .072, 5/64" and 3/32"
1260-10	K126-1	For use with Lincoln® LN7, LN8, LN9, LN25 and LN25 Pro with K1500-1 receiver bushing
1260-15	K126-2	
1260-10MLR		For use with Miller® voltage sensing wire feeders.
1260-10LP		For use on Lincoln® LN25 Pro with K1500-2 receiver bushing
1260-15LP		
X1260-10		For use with euro style wire feeders.
X1260-15		
2640 Gun		
2640-8	K264-8	
2640-10	K361-10	LN22, LN23
2640-15		

350 AMP

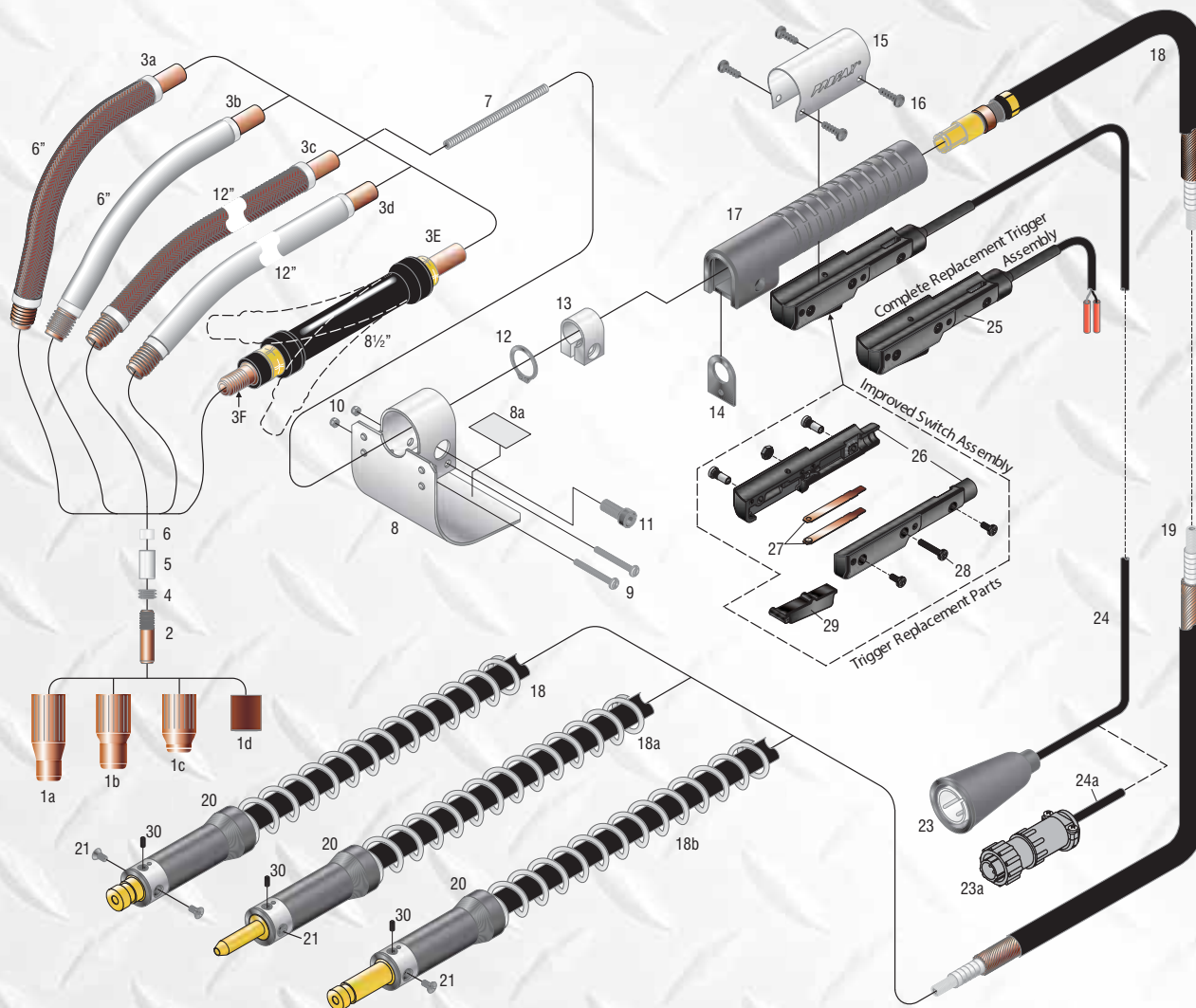


STANDARD FEATURES

- Economical replacement components including liner
- 350 amps / 60% duty cycle
- Wide variety of wire sizes
- Easy field repair
- Adapter kits available for most models of feeders

*Specify wire size when ordering

Special length and bend goosenecks available upon request.



Adapter Kits

PROFAX NO	DESCRIPTION	PROFAX NO	DESCRIPTION
AEC-1001MLR	Miller® adapter kit for converting your standard 1260 guns to fit Miller® feeders	AEC-1000HOB	For converting your standard 1260 guns to fit Hefty® & LN25 Pro w/K1500-2 adapter bushing



INDEPENDENT WHOLESALE WELDING SUPPLY

Ph: 02 8834 2400 Fax: 02 8834 2498 Email: iwws@iwws.net Website: www.iwws.net

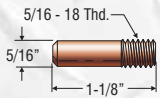


1260 SELF SHIELD FLUX CORE GUN SPARE PARTS

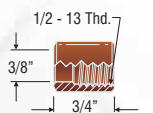
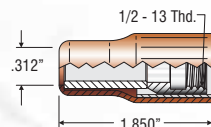
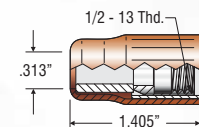
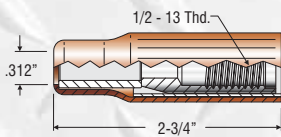
NO	PROFAX NO	DESCRIPTION	NO	PX NO	DESCRIPTION		
1A	11-275	Insulated nozzle 2-3/4" stickout	8A	14-270	INCLUDES Caution decal		
1B	11-200	Insulated nozzle 2" stickout	9	18-780	Round head screw #8-32 x 1.50 (2 req'd)		
1C	11-250	Insulated nozzle 1-1/4" stickout	10	18-781	Hex cap nut #8-32 (2 req'd)		
1D	11-231	Thread protector (standard)	11	14-222	Socket head cap screw		
2	12-651	Contact tip .035 .044 I.D.	12	18-480	Retaining ring		
	12-652	Contact tip .045 .054 I.D.	13	14-572	Clamp		
	12-658	Contact tip .052 .063 I.D.	14	14-819	Spatter shield		
	12-653	Contact tip 1/16" .078 I.D.	15	14-297	Switch housing clamp		
	12-654	Contact tip .068-.072 .086 I.D.	16	126SS	Screw for switch housing clamp (4 req'd)		
	12-656	Contact tip 5/64" .093 I.D.	17	14-340	Handle		
	12-657	Contact tip 3/32" .108 I.D.	18	15-310	Conductor cable assembly 10' (Lincoln® Direct)		
3A	13-301	30° Gooseneck 6" (standard)	15-315	Conductor cable assembly 15' (Lincoln® Direct)			
	13-301SB	30° Gooseneck 6" single bend	18a	15-310M	Conductor cable assembly 10' (Miller® Direct)		
	13-304	50° Gooseneck 6"	15-315M	Conductor cable assembly 15' (Miller® Direct)			
	13-304SB	50° Gooseneck 6" single bend	18b	15-310LP	Conductor cable assembly 10' (LN25 PRO® Direct)		
	13-309	90° Gooseneck 8"	15-315LP	Conductor cable assembly 15' (LN25 PRO® Direct)			
3B	13-301J	30° Jacketed gooseneck 6"	19	15-128	INCLUDES Replacement liner 10', .035-1/16 wires	I.D.	O.D.
	13-301SBJ	30° Jacketed gooseneck 6" single bend		15-129	Replacement liner 10', .068-5/64 wires	.078	.238
	13-304J	50° Jacketed gooseneck 6"		15-130	Replacement liner 10', 3/32 wires	.132	.248
	13-304SBJ	50° Jacketed gooseneck 6" single bend		15-133	Replacement liner 15', .035-1/16 wires	.150	.238
	13-309J	90° Jacketed gooseneck 8"		15-134	Replacement liner 15', .068-5/64 wires	.078	.248
3C	13-306	30° Gooseneck (XL 12")	15-135	Replacement liner 15', 3/32 wires	.130	.248	
	13-306SB	30° Gooseneck (XL 12") single bend	20	15-531	Insulator sleeve w/spring	.150	.248
	13-306-5	5° Gooseneck (XL 12")	21	18-881	Flat head cap screw #8-32 x 3/8" (2 req'd)		
	13-308	50° Gooseneck (XL 12")	23	16-052	Trigger plug Lincoln®		
	13-308SB	50° Gooseneck (XL 12") single bend	23a	079878	Trigger plug Miller®		
3D	13-306J	30° Jacketed gooseneck (XL 12")	24	16-910	New style assembly 10' (Lincoln® Direct)		
	13-306SBJ	30° Jacketed gooseneck (XL 12") single bend	16-915	New style assembly 15' (Lincoln® Direct)			
	13-308J	50° Jacketed gooseneck (XL 12")	24a	16-910M	New style assembly 10' (Miller® Direct)		
	13-308SBJ	50° Jacketed gooseneck (XL 12") single bend	16-915M	New style assembly 15' (Miller® Direct)			
	3E	LFX-1260	Flexible gooseneck for extreme heat	25	16-500	Complete trigger assembly (New Style)	
3F	LFA-1	Adapter (replaceable)	26	16-501	Trigger housing (both halves) (New Style)		
4	18-950	INCLUDES	27	16-502	Contact set (New Style)		
		Liner locking screw 5/16"-18	28	16-503	Screw set (6 pieces) (New Style)		
		Steel insert	29	16-504	Trigger (New Style)		
5	18-940	Ceramic insert	30	18-628	Socket head screw #8-32 x 7/16"		
6	18-930	Replacement gooseneck liner (standard)					
		Replacement gooseneck liner (XL 30°)					
		Replacement gooseneck liner (XL 50°)					
7	13-506	Replacement gooseneck liner (standard)					
	13-512	Replacement gooseneck liner (XL 30°)					
	13-515	Replacement gooseneck liner (XL 50°)					
8	14-268	Small heat shield assembly					

See page 98
for more
details on
goosenecks.

PROFAX NO	DESCRIPTION	TIP I.D.	PROFAX NO	DESCRIPTION
12-651 12-652 12-658 12-653 12-654 12-656 12-657	Contact tip .035 Contact tip .045 Contact tip .052 Contact tip 1/16" Contact tip .068-.072 Contact tip 5/64" Contact tip 3/32"	.044 .054 .063 .078 .086 .093 .108	11-250	Insulated nozzle 1 1/4" stickout
			11-200	Insulated nozzle 2" stickout
11-275	Insulated nozzle 2-3/4" stickout		11-231	Thread protector



*See page 199 for longer length contact tips.



#



INDEPENDENT WHOLESALE WELDING SUPPLY

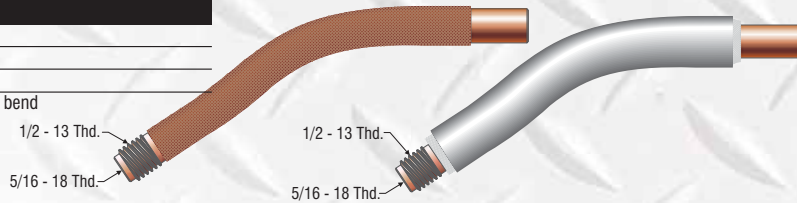
Ph: 02 8834 2400 Fax: 02 8834 2498 Email: iwws@iwws.net Website: www.iwws.net



1260 SELF SHIELD FLUX CORE GUN GOOSENECKS

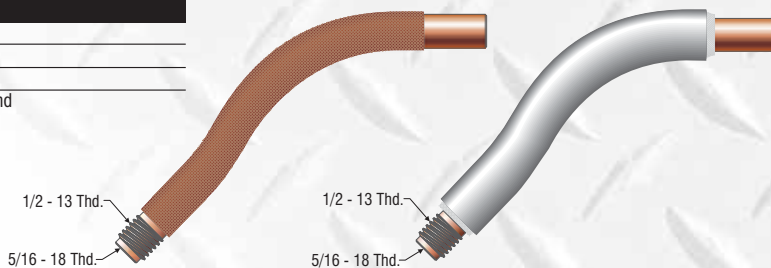
PROFAX NO	DESCRIPTION
13-301	30° gooseneck 6"
13-301J	30° jacketed gooseneck 6"
13-301SB	30° gooseneck 6" single bend
13-301SBJ	30° jacketed gooseneck 6" single bend

Used on 1260



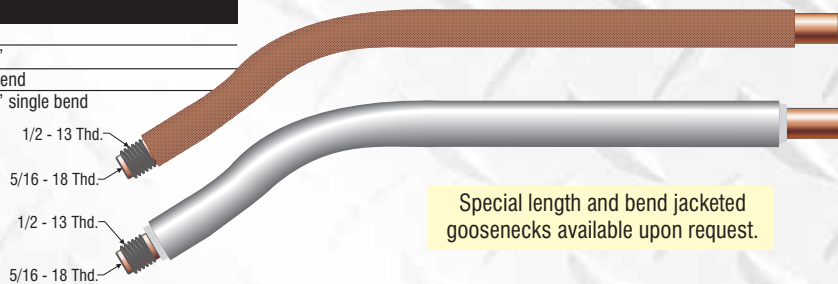
PROFAX NO	DESCRIPTION
13-304	50° gooseneck 6"
13-304J	50° jacketed gooseneck 6"
13-304SB	50° gooseneck 6" single bend
13-304SBJ	50° jacketed gooseneck 6" single bend

Used on 1260



PROFAX NO	DESCRIPTION
13-306	30° gooseneck 12"
13-306J	30° jacketed gooseneck 12"
13-306SB	30° gooseneck 12" single bend
13-306SBJ	30° jacketed gooseneck 12" single bend

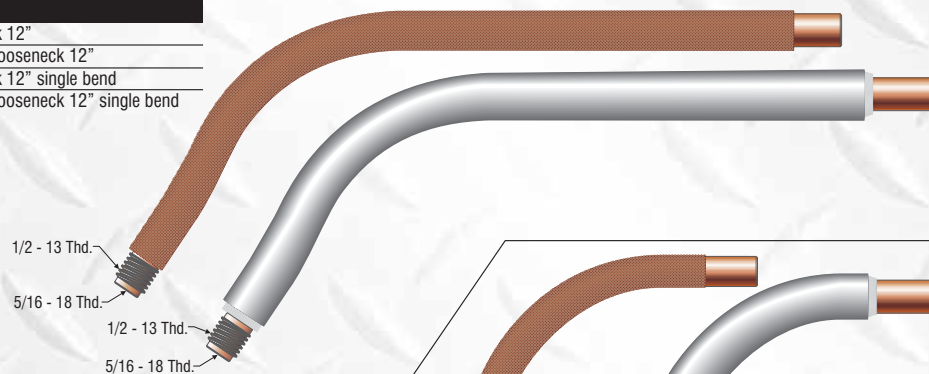
Used on 1260



Special length and bend jacketed goosenecks available upon request.

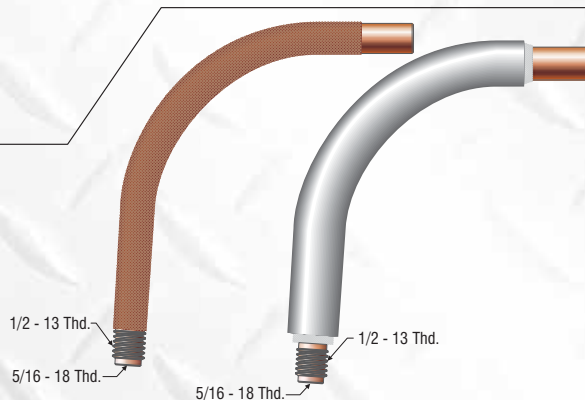
PROFAX NO	DESCRIPTION
13-308	50° gooseneck 12"
13-308J	50° jacketed gooseneck 12"
13-308SB	50° gooseneck 12" single bend
13-308SBJ	50° jacketed gooseneck 12" single bend

Used on 1260



PROFAX NO	DESCRIPTION
13-309	90° gooseneck 8"
13-309J	90° jacketed gooseneck 8"

Used on 1260



PROFAX NO	DESCRIPTION
13-301-5	5° gooseneck 6"
13-301-5J	5° jacketed gooseneck 6"
13-306-5	5° gooseneck 12"
13-306-5J	5° jacketed gooseneck 12"
13-309-5	5° gooseneck 8"
13-309-5J	5° jacketed gooseneck 8"

Used on 1260

