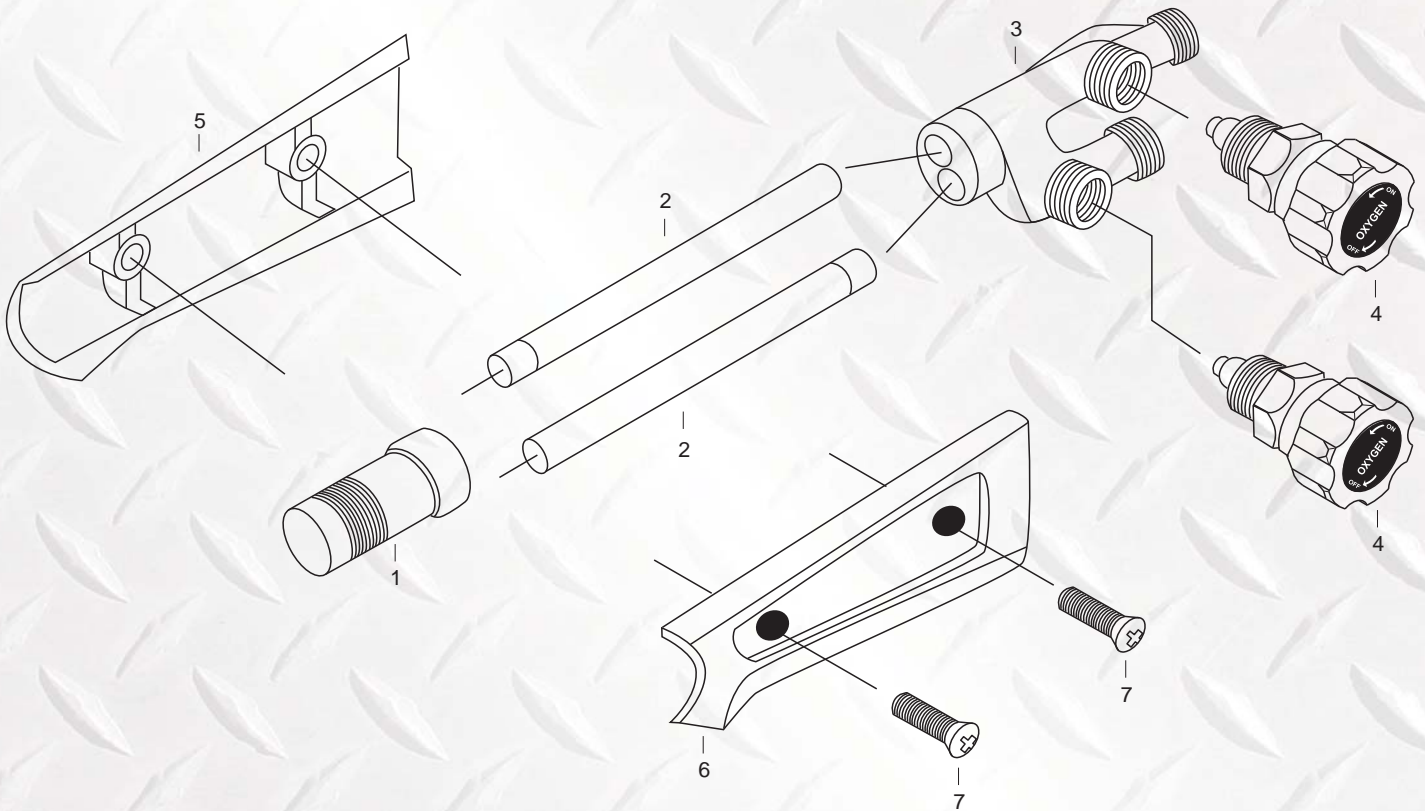


# GAS EQUIPMENT

## 346T TORCH HANDLE



Part No	Description
1 T346-59	BLOCK
2 T346-61	GAS TUBE
3 T346-63	TAIL
4 T346-84	VALVE STEM ASSEMBLY
5 T346-65	HANDLE RIGHT
6 T346-67	HANDLE LEFT
7 T346-69	DRIVE SCREW



INDEPENDENT WHOLESALE WELDING SUPPLY

Ph: 02 8834 2400 Fax: 02 8834 2498 Email: iwws@iwws.net Website: www.iwws.net