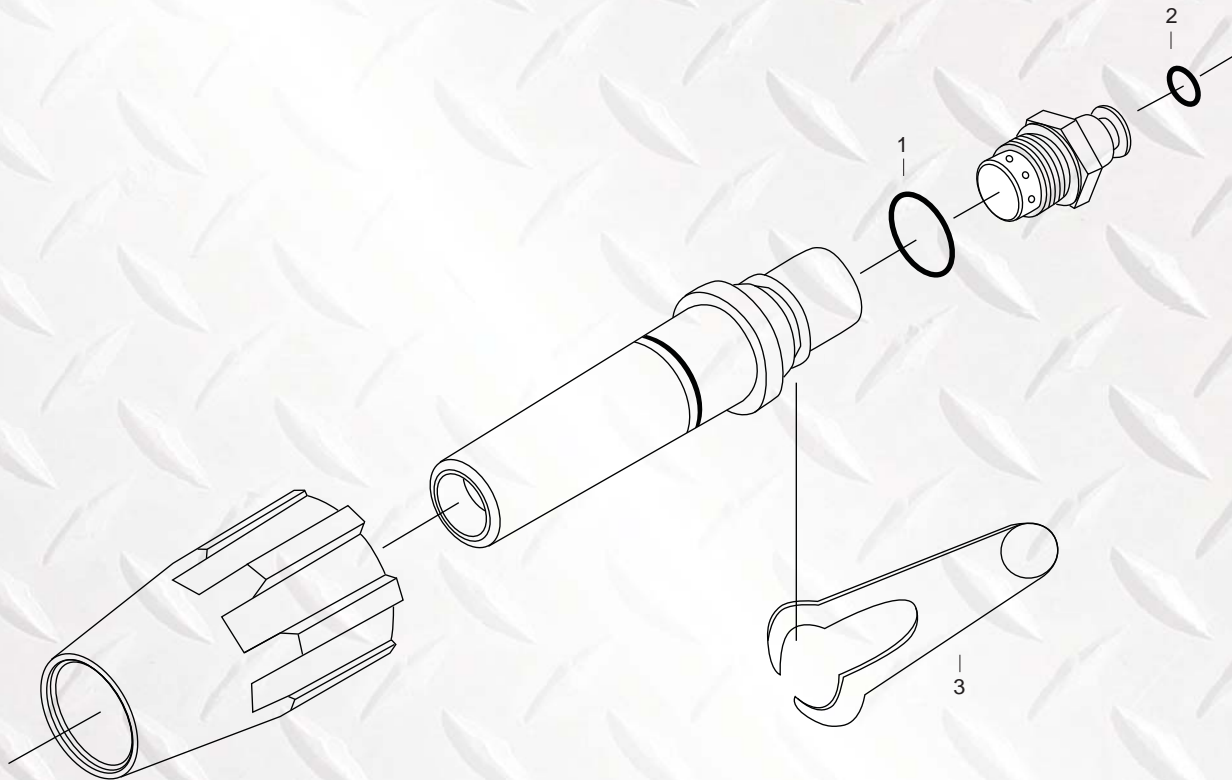


GAS EQUIPMENT

372M MIXER



	Part No	Description
1	T346-17	O-RING LARGE
2	T346-19	O-RING SMALL
3	T346-75	MIXER HOOK



INDEPENDENT WHOLESALE WELDING SUPPLY

Ph: 02 8834 2400 Fax: 02 8834 2498 Email: iwws@iwws.net Website: www.iwws.net