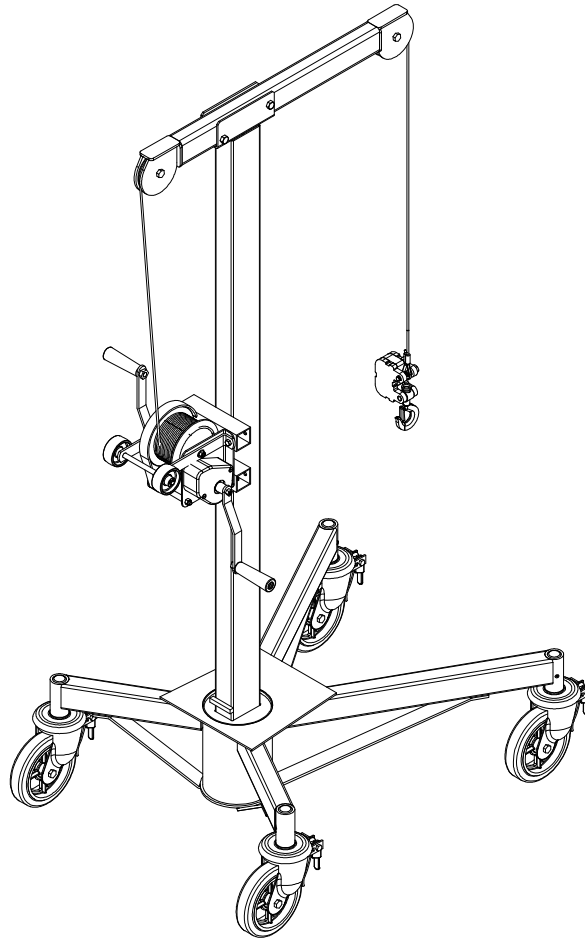


---

# PARTS MANUAL

## FAB-MATE SHOP LIFT

---



**SUMNER<sup>®</sup>**

---

---

**USA:**

7514 Alabonson Rd.  
Houston, TX 77088  
tel: 281-999-6900  
fax: 281-999-6966

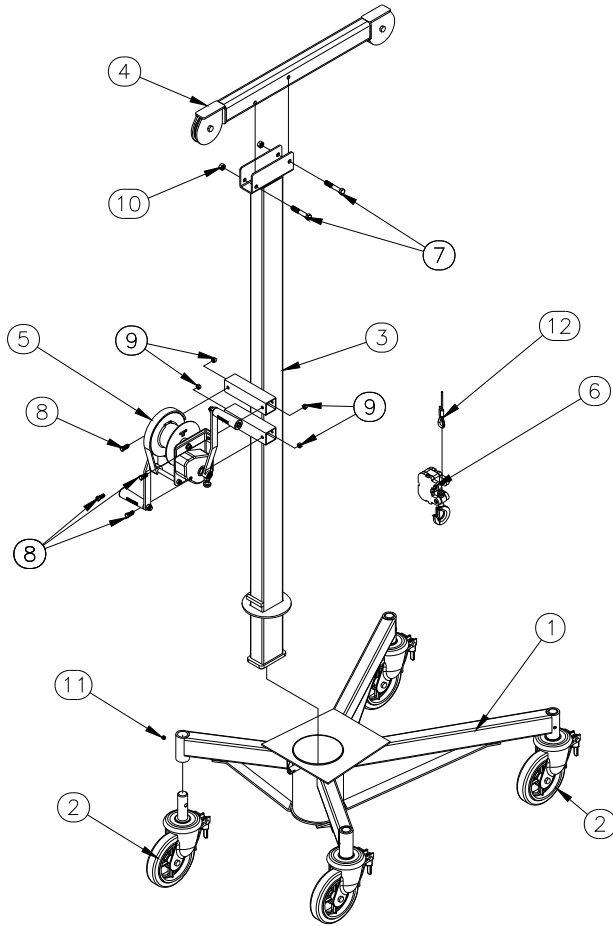
**CANADA:**

470 Collier MacMillan Drive  
Unit 2 & 3  
Cambridge, ON N1R 5Y7  
tel: 519-623-2300  
fax: 519-623-0744

**UK:**

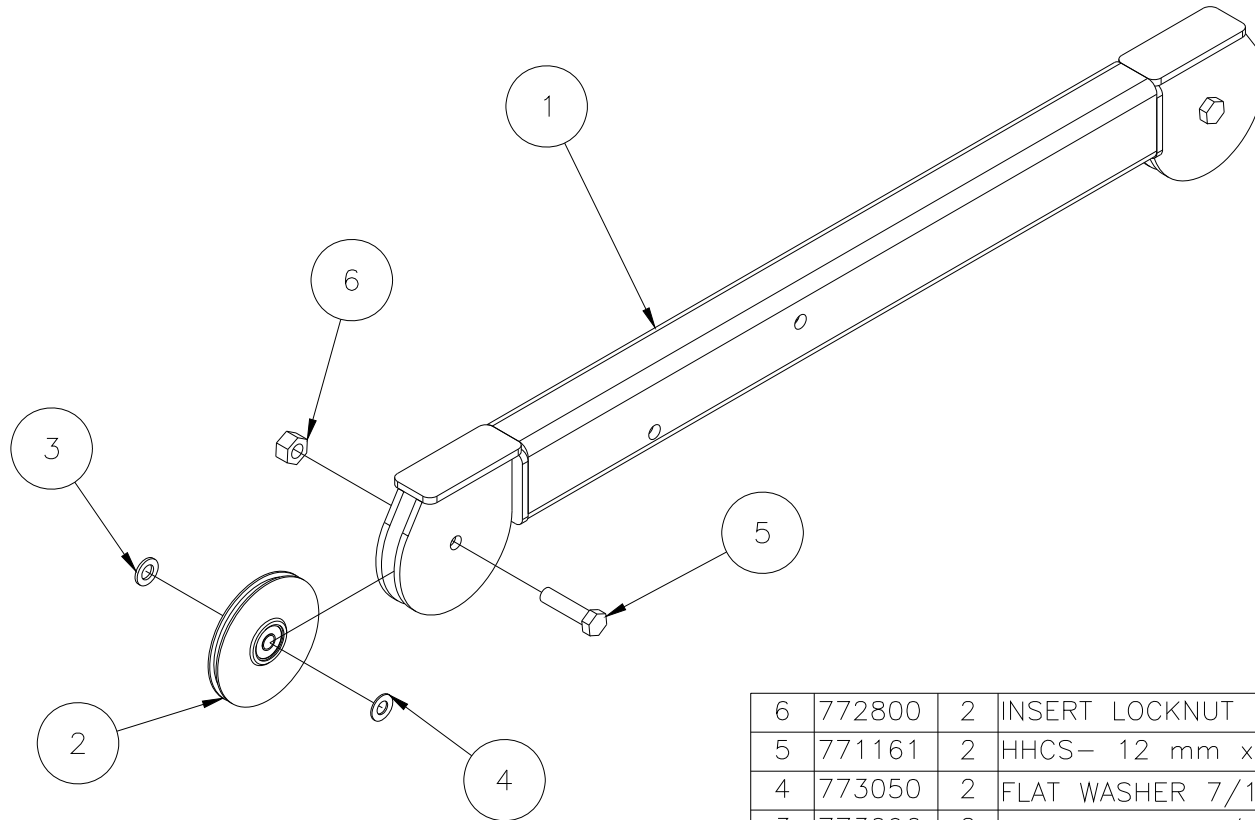
Unit 16A  
Blackpole Trading Estate East  
Blackpole Road  
Worcester, WR3 8SG  
tel: +44 (0)1905 458333  
fax: +44(0)1905 458222

# FAB MATE ASSEMBLY



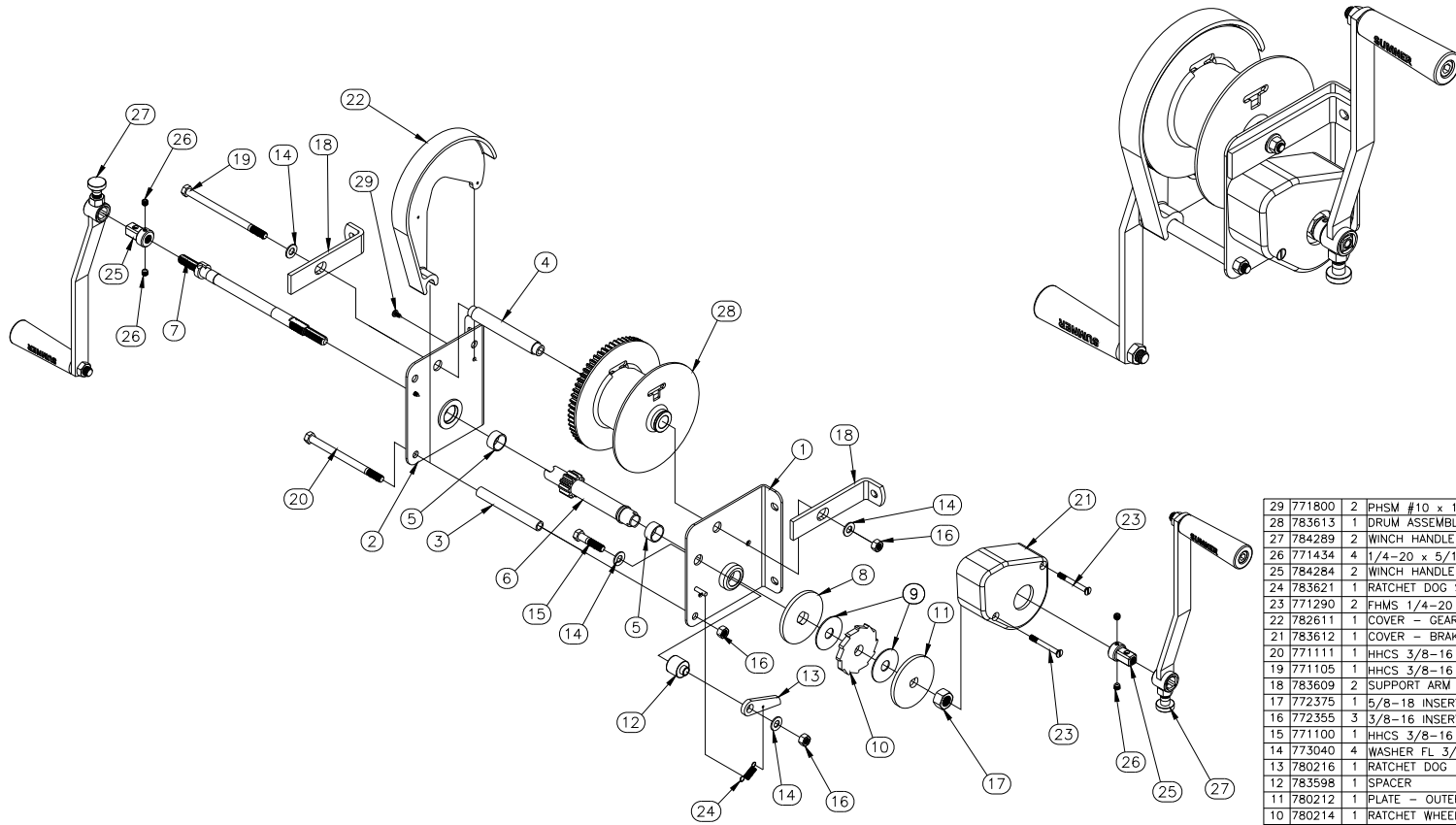
12	783913	1	LOAD LINE ASSEMBLY
11	771460	4	3/8-16 SET SCREW x 3/8LG
10	772357	2	1/2-13 INSERT LOCKNUT
9	772355	4	INSERT LOCKNUT 3/8-16
8	771107	4	HHCS 3/8-16 x 1LG
7	771142	2	HHCS 1/2-13 x 3LG
6	780052	1	WEIGHT WELDMENT
5	783915	1	WINCH ASSEMBLY
4	783905	1	TEE HEAD ASSEMBLY
3	783910	1	MAST WELDMENT
2	779001	4	CASTER - 8" SWIVEL
1	780016	1	100 BASE WELDMENT
Item	Part No.	Qty	Description
Parts List			

# 783905 - TEE HEAD ASSEMBLY



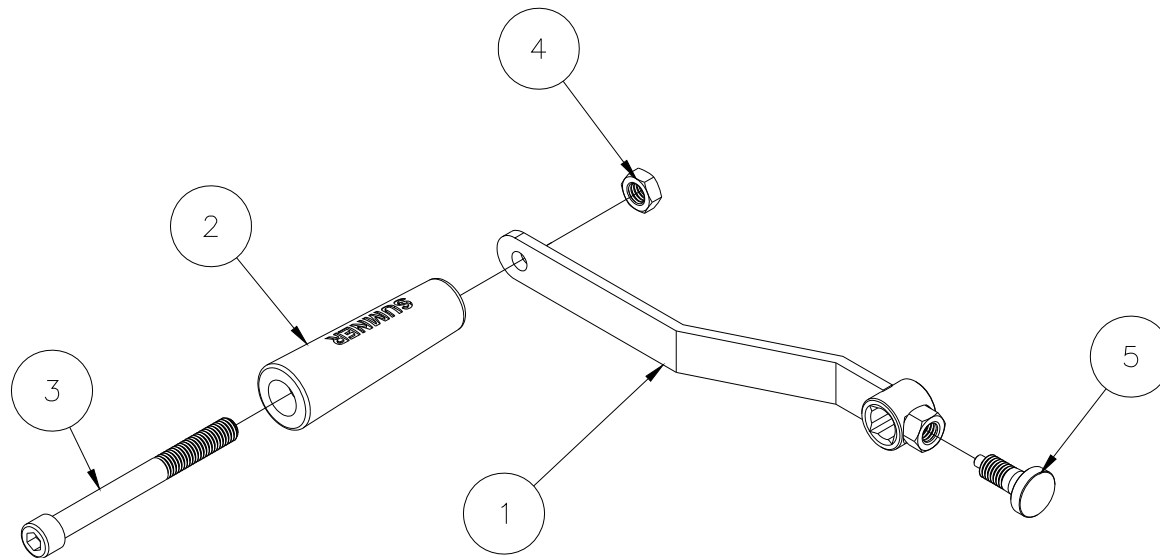
6	772800	2	INSERT LOCKNUT 12 mm
5	771161	2	HHCS- 12 mm x 40 mm
4	773050	2	FLAT WASHER 7/16 .057 THICK
3	773096	2	FLAT WASHER 7/16 .095 THICK
2	783812	2	PULLEY ASSEMBLY
1	783904	1	TEE HEAD WELDMENT
Item	Part No.	Qty	Description
Parts List			

# 783915 - FAB MATE WINCH



29	771800	2	PHSM #10 x 1/2
28	783613	1	DRUM ASSEMBLY
27	784289	2	WINCH HANDLE ASSEMBLY
26	771434	4	1/4-20 x 5/16 SET SCREW
25	784284	2	WINCH HANDLE ADAPTER
24	783621	1	RATCHET DOG SPRING
23	771290	2	FHMS 1/4-20 x 2-1/4
22	782611	1	COVER - GEAR
21	783612	1	COVER - BRAKE
20	771111	1	HHCS 3/8-16 x 5-1/2
19	771105	1	HHCS 3/8-16 x 6
18	783609	2	SUPPORT ARM
17	772375	1	5/8-18 INSERT LOCKNUT
16	772355	3	3/8-16 INSERT LOCKNUT
15	771100	1	HHCS 3/8-16 x 1-3/4
14	773040	4	WASHER FL 3/8
13	780216	1	RATCHET DOG
12	783598	1	SPACER
11	780212	1	PLATE - OUTER
10	780214	1	RATCHET WHEEL
9	783615	2	BRAKE DISC
8	780211	1	PLATE - INNER
7	783754	1	DRIVE SHAFT
6	780205	1	PINION SHAFT
5	775092	2	BUSHING
4	783606	1	DRUM SPACER SHAFT
3	783599	1	SPACER
2	783593	1	SIDE PLATE WELDMENT - LH
1	783596	1	SIDE PLATE WELDMENT - RH
Item	Part No.	Qty	Description
Parts List			

# 783757 - WINCH HANDLE ASSEMBLY



5	774180	1	PLUNGER ASSEMBLY
4	772358	1	1/2-13 INSERT JAM LOCK NUT
3	771254	1	SHCS 1/2-13 x 5
2	780182	1	WINCH HANDLE SLEEVE
1	783756	1	HANDLE WELDMENT
Item	Part No.	Qty	Description
Parts List			