



GAS-CHAMP 12

OPERATION MANUAL



For every person who will be engaged in operation and maintenance supervision. It is recommended to read through this manual before any operation, so as to permit optimum operation of this machine.

INTRODUCTION

Thank you very much for purchasing this product. Read this instruction manual thoroughly to ensure correct, safe, and effective use of the machine. Read the manual first to understand how to operate and maintain the machine. Cooperation between colleagues in the workplace is essential for safe, smooth operation. Make sure you read, understand and take all necessary safety precautions.

SAFETY PRECAUTIONS










This product is designed to be safe, but it can cause serious accidents if not operated correctly. Those who operate and repair this machine must read this manual thoroughly before operating, inspecting, and maintaining the machine. Keep the manual near the machine so that anyone operates the machine can refer to it as necessary.

- **Do not use the machine carelessly without following the instructions in the manual.**
- **Use the machine only after you have completely understood the contents of the manual.**
- **If an explanation in the manual is difficult to understand, contact our company or sales service office.**
- **Keep the manual to hand at all times and read it as many times as is necessary for a complete understanding.**
- **If the manual becomes lost or damaged, place an order with our company or sales service office for a new one.**
- **When transferring the machine to a new owner, be sure to hand over this instruction manual as well.**

QUALIFICATIONS FOR MACHINE OPERATOR

Operators and repair staff of this machine must completely understand the contents of the instruction manual and have either of the following qualifications:

1. Gas welding foremen's license
2. Completion of gas welding training course
3. Approval by the Minister of Labor

Symbol	Title	Meaning
	General	General caution, warning, and danger
	Be careful not to get your fingers caught.	Possible injury to fingers if caught in the insertion port
	Caution: Electric shock!	Possible electric shock under special conditions
	Ground this equipment.	Operators must ground the equipment using the safety grounding terminal.
	Pull out the power plug from the outlet.	Operators must unplug the power plug from the outlet when a failure occurs or when there is a danger of lightning damage.
	Caution against bursting	Possible bursting under certain conditions
	General	General warning
	Caution: Hot!	Possible injury due to high temperature under certain conditions
	Caution: Ignition!	Possible ignition under certain conditions

CONTENTS

1 .	Safety Information	2
1.1	General machine safety precautions	2
1.2	Gas cutting safety precautions.....	4
2 .	Location of safety labels.....	6
3 .	Outline of machine.....	6
3.1	Features of machine	6
3.2	Name and function of each section.....	6
3.3	Specifications	7
4 .	Preparation for operation	8
4.1	Contents of package	8
4.2	Machine assembly	8
4.3	Preparation for operation	9
5 .	Cutting operation	10
5.1	Safety measures prior to operation.....	10
5.2	Ignition and flame adjustment.....	10
5.3	Cutting and piercing method.....	11
5.4	Procedures for starting cutting and extinguishing flame.....	11
5.5	Safety measures against backfire and flashback.....	11
5.6	Cutting operation	12
5.7	Set up circle cutting attachment	12
5.8	Circle rail	12
6 .	Maintenance and inspection.....	12
6.1	Daily inspection	12
6.2	Monthly inspection.....	12
6.3	3-month (2000-hour) inspection.....	13
7 .	Troubleshooting.....	13
8 .	Wiring diagram.....	15
9 .	Sketch drawing of CG-12BEETLE.....	15
10.	Parts list.....	16
10.1	Main units.....	16
10.2	Electrical, gas and torch slide holder units.....	18
10.3	Two torch unit.....	20
11.	Cutting Data.....	22

1 Safety information

Many accidents are caused by operation, inspection, and maintenance which disregard the basic safety rules. Carefully read, understand, and master the safety measures and precautions described in this instruction manual and on the machine before operating, inspecting, and maintaining the machine.

The safety messages are classified as follows for machine safety labels:

■ WARNING

This word is used in a warning message and a warning label at places that could cause injury or serious accident.

■ CAUTION

This word is used in a caution message and a caution label at places that could cause slight injury or machine damage. This is also used as a caution for frequent dangerous actions.

■ NOTICE SIGNS

This is a sign to show machine operators and maintenance engineers items that relate directly to damage of machines and surrounding facilities and equipment.

1.1 General machine safety precautions

Read and fully understand the following important safety information:

1.1.1 Machine safety

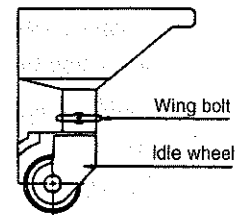
1. The machine casing is mainly made of aluminum alloy to reduce weight. For this reason, be careful not to drop a heavy item on the machine, or not drop the machine when carrying it since the alloy is not designed to withstand such impact.
2. When mounting hoses to the torch and distributor, tighten the nut with the attached wrench. After mounting, be sure to check there is no gas leak with a detection liquid: If a gas leak is found, retighten the nut firmly.
3. When fixing a tip to the torch, tighten the nut with the two wrenches attached. In addition, avoid damaging the taper of the tip since this may cause backfire.
4. Never disassemble the machine other than during maintenance and inspection. Otherwise, malfunction will result.
5. Never remodel the machine. Remodeling is very dangerous.
6. When changing the direction, make sure that the direction switch is in the neutral (stop) position, and operate the direction switch after the machine has stopped.
7. Always turn the power off when not in use.
8. Never use the machine outdoors when the weather is wet. This will cause failure of the machine and could cause a fatal accident by electric shock.

1.1.2 Safety clothing

1. Be sure to wear protective gauntlets, goggles, helmet, and safety shoes during operation.
2. Avoid operating the machine with wet clothes or hands in order to prevent electric shock.


1.1.3 Operation and handling safety precautions

1. Read this instruction manual before operating the machine.
2. Mount and center the machine correctly and confirm correct motion before operation.
3. Before connecting the power plug to the outlet, make sure that the power switch is in the OFF position (or the normal/reverse changeover switch is in the stop position).
4. Prior to operating the machine, check the safety of the surroundings to avoid accidents.
5. Never move the machine while the preheat flame is on.
6. Take great care of spatters and drops when operating the machine at a high position. They may injure people below.
7. Clutch
 - Before running the machine, check to be sure the clutch is in. If the machine runs keeping the clutch by halves, troubles will arise for this reason.
8. When joint the rails, be careful not to catch your hands before the direction after the machine is stopped.
9. When cutting is performed on the rails, be sure to fix the idle wheels.
10. Heat shield should be fixed firmly so that it may not contact the rails.
11. Secure the rack bar with the wing bolt (M6 x 20) attached to the torch slide liner to prevent the rack bar from dropping.
12. Be sure to hold the handle when carrying the machine.
13. When moving the rails, be sure to take down the machine body off the rails.



1.1.4 Electrical system precautions



1. Be sure to check the input power voltage of the machine before operation. The input power voltage should be in the range of + 10% of the rated voltage. The machine should not be operated out of this range.
2. The metal plugs are screw-threaded, therefore, fully tighten them so that they will not come loose during operation.
3. Be sure to ground the cable of the machine.
4. Stop operation and turn off the power in the following cases, and ask a qualified electrician to repair the machine.
 - 1) Broken or abraded cables
 - 2) Water leakage from the machine or liquid damage to the machine
 - 3) Abnormal machine operation despite operating the machine according to the instruction manual
 - 4) Machine breakdown
 - 5) Poor machine performance that requires repair
5. Periodically inspect the electrical system.

1.1.5 Maintenance and inspection precautions



1. Ask a qualified electrician to perform repair and inspection service.
2. Disconnect the power plug before inspecting and repairing the machine.
3. Maintain the machine periodically.

1.2 Gas cutting safety precautions

Strictly observe the safety rules and precautions to ensure the safety of gas cutting operations. Operators and supervisors MUST keep safety in mind.

1.2.1 Prevention of explosion



1. Never cut pressurized cylinders or hermetically sealed containers.
2. Ensure sufficient ventilation for gas cutting to prevent the air from becoming stale.

1.2.2 Pressure regulator safety precautions



1. Before starting operation, check that all pressure regulators are operating correctly.
2. Ask a skilled repair engineer to perform maintenance and inspection service.
3. Do not use pressure regulators from which gas is leaking, nor malfunctioning pressure regulators.
4. Do not use pressure regulators smeared with oil or grease.

1.2.3 High-pressure gas cylinder safety precautions



1. Never use broken cylinders or cylinders from which gas is leaking.
 2. Install cylinders upright and take measures to prevent them from falling.
 3. Use cylinders only for specified purposes.
 4. Do not smear container valves with oil or grease.
 5. Install cylinders in a place free from heat, sparks, slag, and naked flame.
 6. Contact the distributor if the container valves will not open.
- Never use a hammer, wrench, or other tools to forcibly open container valves.

1.2.4 Safety precautions for hoses



1. Use the oxygen hose for oxygen gas only.
2. Replace cracked hoses or other hoses damaged by sparks, heat, unshielded fire, etc.
3. Install hoses without twisting.
4. To prevent breakage of hoses, take great care during operation and transportation.
5. Do not hold the hoses when moving the machine.
6. Periodically check the hoses for damage, leakage, fatigue, loose joints, etc. to ensure safety.
7. Cut hoses to the minimum possible length. Short hoses reduce hose damage and pressure drop, as well as reduce the flow resistance.

1.2.5 Safety precautions for fire



Take safety precautions to prevent fire prior to gas cutting. Ignoring hot metal, sparks, and slag could cause a fire.

1. Keep a fire extinguisher, fire extinguishing sand, bucket full of water, etc. ready on the site where gas cutting is performed.
2. Keep flammables away from the cutting area to avoid exposure to sparks.
3. Always cool steel plates that have become hot after cutting, as well as hot cut parts or scrap, before bringing them close to flammables.
4. Never cut containers to which flammable materials are stuck.

1.2.6 Safety precautions for skin burns



Observe the safety precautions to prevent skin burns. Ignoring heat, spatter, and sparks during operation could cause a fire or burned skin.

1. Do not perform cutting near flammables. (Move flammables well away from the sparks.)
2. Do not cut containers filled with flammables.
3. Do not keep lighters, matches, and other flammables nearby.
4. Flames from the torch will burn skin. Keep your body away from the torch and tip, and check the safety before operating the switches and valves.
5. Wear the correct protectors to protect your eyes and body.
6. Correctly tighten the tip to prevent backfire.
 - When fixing a tip to the torch, tighten the nut with the two wrenches attached.
 - If the tip is tightened excessively, it will be heated during cutting and tightened still more, making it difficult to remove the tip.
 - Avoid damaging the taper of the tip since this may cause backfire.
7. Check with soap suds for any leakage of gas from the connection part of the distributor, hose, and torch.

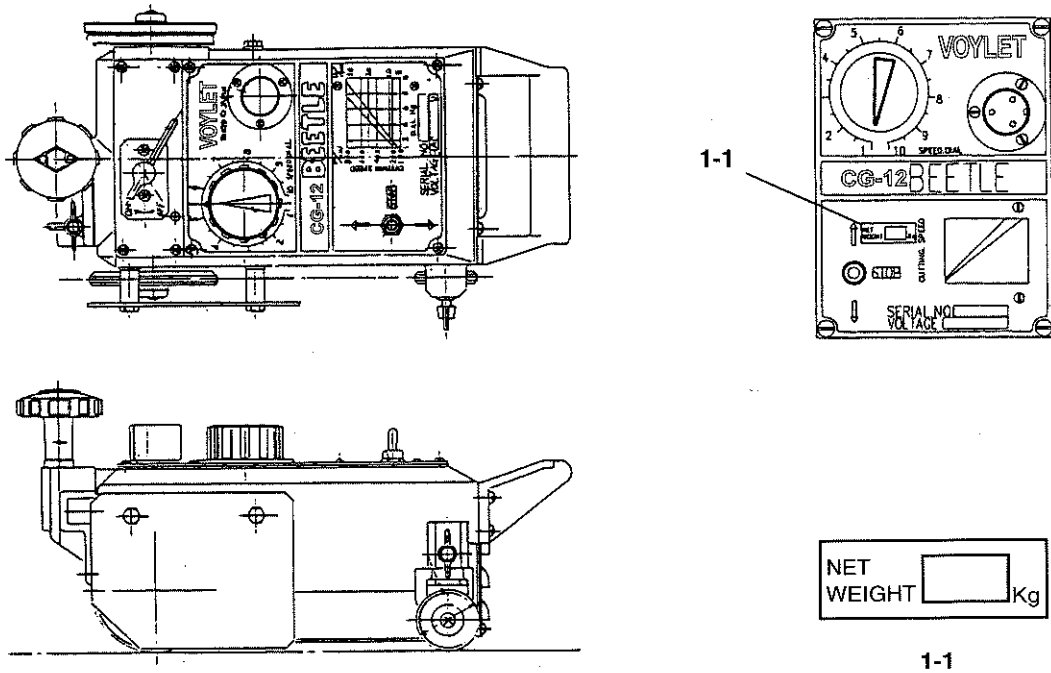
Never use oil or grease on the connection of the oxygen pipe to avoid backfire which may lead to explosion.
8. Be sure to check the following when igniting:
 - Place the torch on the torch holder before igniting.
 - Always wear the required protectors (gauntlets, goggles, helmet, etc.)
 - Check for any obstacles, dangerous materials, and flammables near or in the direction of cutting. Determine the gas pressure.
 - The gas pressure must be within the appropriate range. (For the gas pressure, refer to the Cutting Data.)
9. The torch, tip, and heat shield are heated to a very high temperature. Always wear gauntlets when handling them. Also, the surface after cutting is very hot so do not touch it even while wearing gauntlets.
10. Never move the machine while the preheat flame is on.

2 Locations of safety labels

Safety labels and other labels for correct operation are affixed to the machine.

Carefully read the labels and follow the instructions on them when operating the machine.

Never remove the labels. Keep them clean and legible at all times.

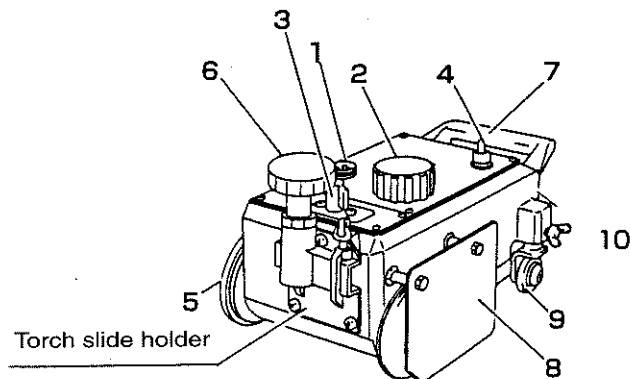


3 Outline of machine

3.1 Features of machine

This machine is equipped with a single cone speed changer (mechanical non-stage speed changer) to materialize substantial compactness and lightweight based on the double cone speed changer that has been successfully used in CG-12 MAX. The improved transportability and operability will surely contribute to rationalization and labor-saving of cutting operation.

3.2 Name and function of each section



1. Metal receptacle

Used for connection of power cable to supply electric power.

2. Speed adjuster

Turn the knob clockwise, and the machine will travel faster.

3. Clutch

The lever operation will stop driving.

4. Drive switch

Incline the switch in the direction of the arrow to move the machine in that direction.

5. Drive wheel

Engage the clutch (ON) to transmit driving power, and the machine will begin to travel.

6. Torch slide handle

This handle adjusts the lateral position of the torch.

7. Handle

Hold the handle to carry the machine, as well as for positioning.

8. Heat shield

The shield protects the machine from the heating flame.

9. Idle wheel**10. Case**

3.3 Specifications

Weight :	7.0 kg
One torch with Body :	9.5 kg
Two torch with Body :	13 kg
Machine size :	350 x 140 x 175mm
Wheel distance :	160mm
Power source :	± 10%
Reduction gear :	single cone system
Cutting speed :	150-800 mm/min
Cutting edge sharp :	I,V (45°)
Cutting thickness :	5-30 mm (by standard accessories)
Moter :	1500 r.p.m.

Accessories

Cabtyre code:	1set
Tip :	102 (for acetylene) or 106 (for propane) #0,1,2 one each
Weigh :	1 pc (two torch set only)
Weigh supporter :	1 pc (two torch set only)
Fitting :	1 pc (two torch set only).

Option

Rail :	1.8m, 2.5m, 3.0m
Circle rail :	
Circle cutting attachment:	

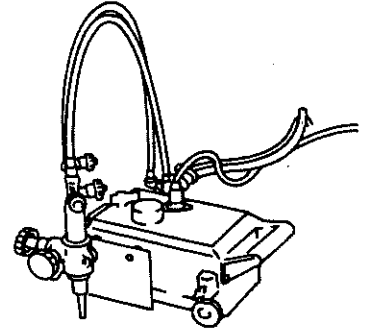
4 Preparation for operation

4.1 Contents of package

The contents of the standard package are shown below. Check them carefully before assembling the machine.

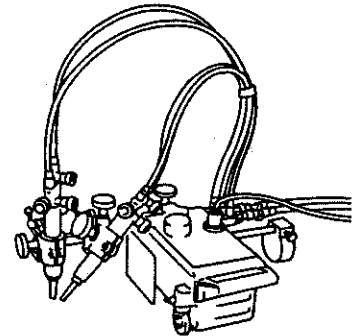
1. One torch set

- Main unit : 1 set
- Torch holder with rack 1 set
- Torch : 1 pc
- Gas distributor : 1 pc
- Hose, 600mm : 2 pcs
- Cabtyre cord, 5m : 1 pc
- Tip (102 or 106type #0, 1, 2, one each) : 3 pcs



2. Two torch set

- Main unit : 1 set
- Torch holder with rack 2 set
- Torch : 2 pcs
- Gas distributor : 1 pc
- Weight : 1pc
- Weight supporter : 1 pc
- Fitting : 1 pc
- Hose, 600mm (2PCS) and 900mm (2PCS) : 4 pcs
- Cabtyre cord, 5m : 1 pc
- Tip (102 or 106 type #0, 1, 2, two each) : 6 pcs

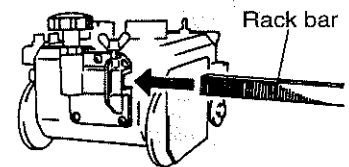


4.2 Machine assembly

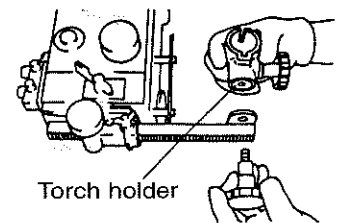
1. Take out the machine gently from the case and place it on the rail.
2. Assemble the torch set parts in advance in the following order.

4.2.1 One torch set

1. Insert the rack bar into the main unit in the direction of the arrow.



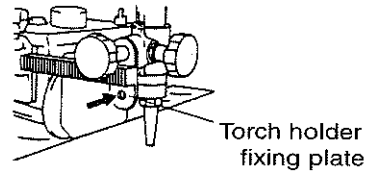
2. Fit the torch holder onto the rack bar.



3. Fit the torch into the torch holder and adjust the torch up/down setting.

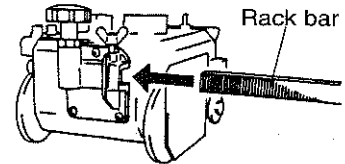
4. Fit the hoses between the torch and distributor connection. (The blue hose has a right-hand thread, and the red hose a left-hand thread.)

- When the torch stroke is insufficient to cut the plate beneath the rail when carrying out lower-edge preparation, change the torch holder to the position indicated by the arrow.

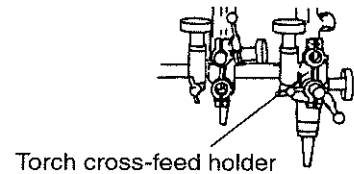


4.2.2 Two torch set

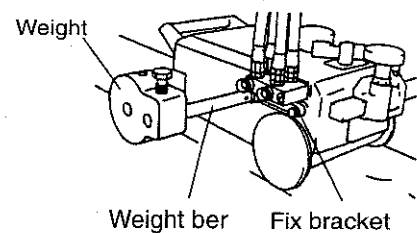
- Insert the rack bar into the main unit in the direction of the arrow.



- Fit the two cross-feed torch holders onto the rack-bar.



- Position and fix the torch holders in the cross-feed holders, then fit the torches.
- Fit the distributor section onto the main unit and connect the 600mm and 900mm hoses from the distributor to the two torches.
- Fix bracket, weight bar and weight, in that order.



4.3 Preparation for operation



4.3.1 Connecting the power cable

- Connect the power cable to the body.
- Before plugging the metal plug on the cable side into the socket on the machine side, check there is no dust inside.
- The metal plugs are screw-threaded, therefore, fully tighten them so that they will not come loose during operation.

4.3.2 Connecting the gas supply hose

- Connect the respective gas supply hoses to the primary hose.
- Securely tighten the joints and check there is no gas leak.

4.3.3 Connecting the tip

- Select a proper tip according to the thickness of the steel plate and attach it to the torch.
(To select a tip, refer to the table of cutting data.)
- When fixing a tip to the torch, tighten the nut with the two wrenches attached.
 - If the tip is tightened excessively, it will be heated during cutting and tightened still more, making it difficult to remove the tip.
 - In addition, avoid damaging the taper of the tip since this may cause backfire.

5 Cutting operation



5.1 Safety measures prior to operation

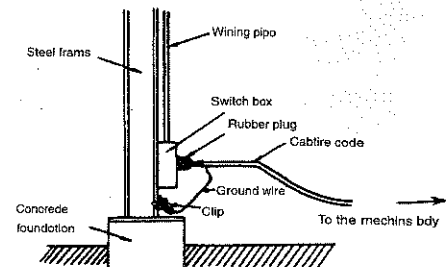
5.1.1 Grounding the machine



The cable of this machine is equipped with a grounding wire. For safety, be sure to ground the wire as follows, in addition to checking the connection of the power cable.

■ Method to ground the machine

- The simplest way of grounding the wire is to connect the clip to the steel frame as shown in the diagram.
- If a grounding wire is already provided at the site, connect the clip to the wire.



5.1.2 Selection of tip

Referring to the Cutting Data, select the suitable tip according to the plate thickness.

For a heavily rusted plate or for a bevel cutting angle of more than 200, select the tip one grade higher than the one shown in the Cutting Data.

5.1.3 Operation of running direction changeover switch



- By changing the direction switch, the machine can move forward and backward. The neutral position on the switch is the stop position of the machine.
- When changing the direction, make sure that the direction switch is in the neutral (stop) position, and operate the direction switch after the machine has stopped.
- Be sure that the switch is in the neutral position before starting the machine.
- Make sure that the switch is in the neutral position before turning the power on. If the switch is in the forward or backward position, the machine will start as soon as the power is turned on, which could cause serious accidents.
- Never put your hands in the space between the guide roller and rail, as well as between the body and the rail, while the machine is running. otherwise, your hands may be caught.

5.2 Ignition and flame adjustment

- Adjust the gas pressure according to the Cutting Data. The data shows the pressure when all the valves are open. Readjust the pressure after ignition. (See page 26.)

■ Flame adjustment method

1. Open the fuel gas valve 1/4 to 1/2 a turn, and light the torch with an igniter.
2. Then, open the preheating oxygen valve gradually until a white cone of the standard flame has been obtained, (The incandescent area should be uniform and about 5-6 mm (3/16-1/4") in length.)
3. Open the jet oxygen valve fully. Readjust the flame if its condition has changed. A disorderly flow of the jet oxygen will adversely affect the quality of the cutting surface. In such a case, clean the tip with a suitable cleaning needle while the jet oxygen is flowing.
4. Appropriate distance between the tip end and cutting surface:
 - Acetylene gas8-10 mm
 - LPG gas5-8 mm

5.3 Cutting and piercing method

1. Cut in from the end of steel plate.
2. Pierce steel plate before cutting.
3. Drill a hole before cutting.

Piercing method

- 1) Ignite and adjust the flame.
- 2) Thoroughly preheat the cut-in point until it is white hot.
- 3) Open the cutting oxygen valve to pierce the steel plate. The tip should be about 15-20 mm from the plate to prevent slag from splashing onto the tip and adhering there, which will shorten the working life of the tip.

5.4 Procedures for starting cutting operation and extinguishing the flame

1. Align the up with the cutting start point, ignite, and then adjust the flame.
2. Sufficiently preheat the cutting start point.
3. After preheating, supply oxygen and simultaneously turn on the motor switch or the turning direction switch to start cutting.
4. Carefully check the cutting condition, and control the cutting speed with the speed adjuster. For the cutting speed, refer to the Cutting Data.
5. Extinguish the flame after cutting as follows:
 - 1) Turn off the motor switch (or turning direction switch).
 - 2) Close the cutting oxygen valve.
 - 3) Close the preheating oxygen valve.
 - 4) Close the fuel gas valve.

5.5 Safety measures against backfire and flashback

5.5.1 Prevention of backfire

Backfires may cause serious accidents or fires. Be careful to prevent such disaster. When a backfire occurs, find the cause and inspect and maintain the machine correctly before using the machine again.

The following are causes of backfire:

- 1) Improper gas pressure adjustment
- 2) Overheated tip
- 3) Slag clogged in tip
- 4) Damage to the tapered section of the tip or torch will cause backfire.

5.5.2 Prevention of flashback

Flashback could cause fire and break the machine. Should there be a hissing sound in the torch, quickly take the following action:

- 1) Close the preheating oxygen valve.
- 2) Close the fuel gas valve.
- 3) Close the cutting oxygen valve.

Should flashback occur, find the cause and take appropriate action before using the machine again.

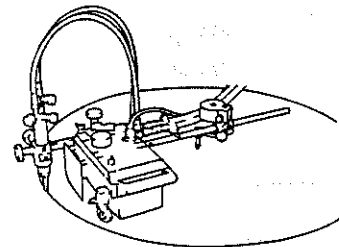
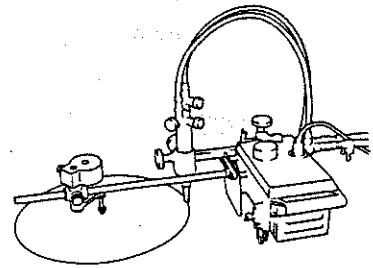
5.6 Cutting operation

1. Attach the rail to the cutting position, and align the tip with the cutting start point.
 2. Bring a flame close to the tip for ignition and ensure sufficient preheating.
 3. Simultaneously with opening the cutting oxygen valve, turn on the switch to start cutting.
 4. While checking the cutting condition, select the optimal cutting speed with the speed adjuster.
 5. After cutting, turn off the switch and close the cutting oxygen valve, fuel gas valve, and preheating oxygen valve in this order.
- ★ Thereafter, repeat operations from step 1.

5.7 Set up circle cutting attachment

■ Option

1. Attach the respective parts, as shown in the figure.
for cutting small and large circles.
2. Adjust the height of center by the pivot pin so that the drive wheel of at the center side can be floating by 1mm from the work piece.
3. Align the pivot pin with the center of the circle.
4. Fix the weight as close as possible to the pivot pin.
5. Loosen the butterfly bolt and fix the idle wheel to an angle suitable to the cutting radius.



5.8 Circle rail

- Round rails are available upon request.
For details, contact the nearest sales office.

6 Maintenance and inspection

Refer to the following for inspection and maintenance of the machine to use the machine under the best operating conditions at all times. 6.1 Daily

6.1 Daily inspection

1. Wipe the exterior of the machine with a clean cloth.
2. Oil the axles of casters as necessary.
3. Wipe the circumference of the driving wheel with a cloth impregnated with oil.

6.2 monthly inspection

1. Oil the torch slide handle shaft and clutch lever shaft.
2. Measure insulation resistance in the following manner. Set the switch in the forward or backward position, and measure the resistance between one end of the power receptacle and the metallic part of the case. If the resistance is 5 k or more, there is no problem.
3. Disconnect the operation panel, and remove dust from the electric equipment parts.

6.3 3-month (2000-hour) inspection

1. Remove the motor and speed change cone, and replace the old grease inside the gear box with new grease. Grease is available at our sales office.
2. Replace the internal parts when they are substantially abraded.
3. Completely remove oil, if any, from the motor disc and speed change cone of the speed changer with thinner, etc.

7 Troubleshooting

1) Carriage does not move. (motor does not run.)

Possible cause	Procedure	Remedy
1) No electrical power	Check power source and connections	
2) Broken power cord	Use a circuit tester to check the cord. If the tester shows , the power cord is broken.	Repair or replace the broken cord.
3) Bad plug	Check wire the soldering.	Resolving the wire.
4) Bad switch	Remove the mid terminal and test the switch.	Replace faulty switch. (See the wiring diagram.)
5) Bad condenser	Check the condenser with a tester, if the tester handle slightly vibrates and shows immediately , the condenser is normal.	Replace faulty condenser.
6) Bad connection	Check soldering.	Resolving bad connection.
7) Broken lead wire	Test each lead with a tester.	Replace faulty lead.
8) Bad motor winding's	A faulty motor is indicated if all the above test results are normal.	Replair or replace the motor.

2) Carriage does not move. (motor runs,)

Possible cause	Procedure	Remedy
1) Faulty clutch	Remove the clutch and check the inside mechanism.	
2) Cone friction slips	Check the spring or greasy friction face.	Replace the spring or clean oily surface with thinner.

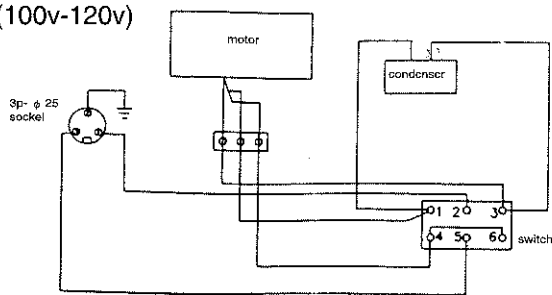
3) Abnormal carriage

Possible cause	Procedure	Remedy
1) Severe vibration and noise	① Foreign matter caught in gear	Repair or replace.
	② Gear worm	Replace
	③ Motor faulty	Repair or replace.
	④ Cone worm or damaged	Replace.
2) No disengaging	Snap ring of the clutch pin is off.	Replace.
3) Knocks	① Gear worm	Replace worm gear.
	② Faulty clutch pin	Replace faulty pin.
	③ Clutch key worm	Replace worm key.
	④ Loose shaft or drive wheel	Repair or replace.
	⑤ Worm or damaged cone	Replace.
	⑥ Heat shield touches to the work surface of rail.	Exercise caution
	⑦ Damaged rail or foreign objects on rail.	Repair or clean.
	⑧ Hoses or power cord interferes with carriage movement	Exercise caution during operation.
	⑨ Faulty idle wheel	Repair or repair.
	⑩ Foreign matter is attached to drive wheel, or this wheel is damaged.	Repair or repair.

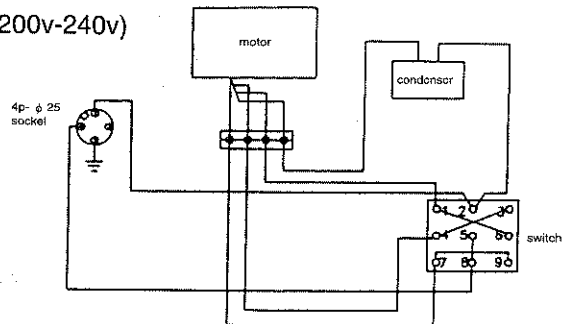
Note : If the motor does not rotate even after having been repaired, check that wiring is correct.

8 Wiring diagram

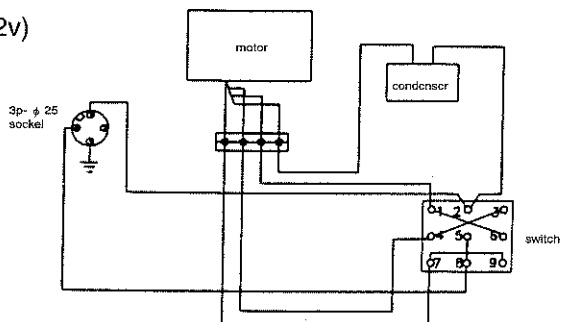
(100v-120v)



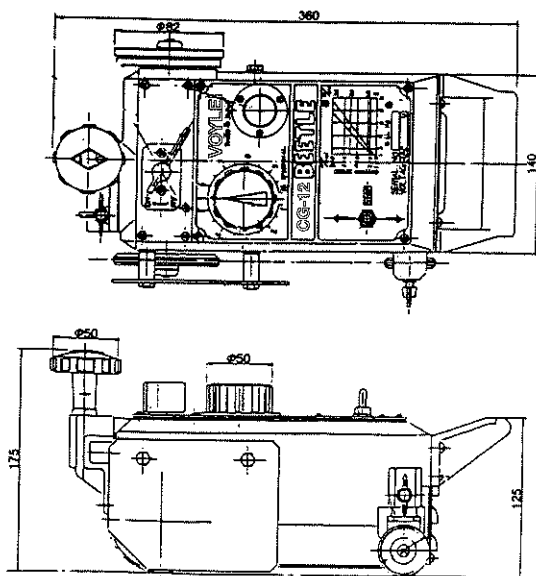
(200v-240v)



(42v)

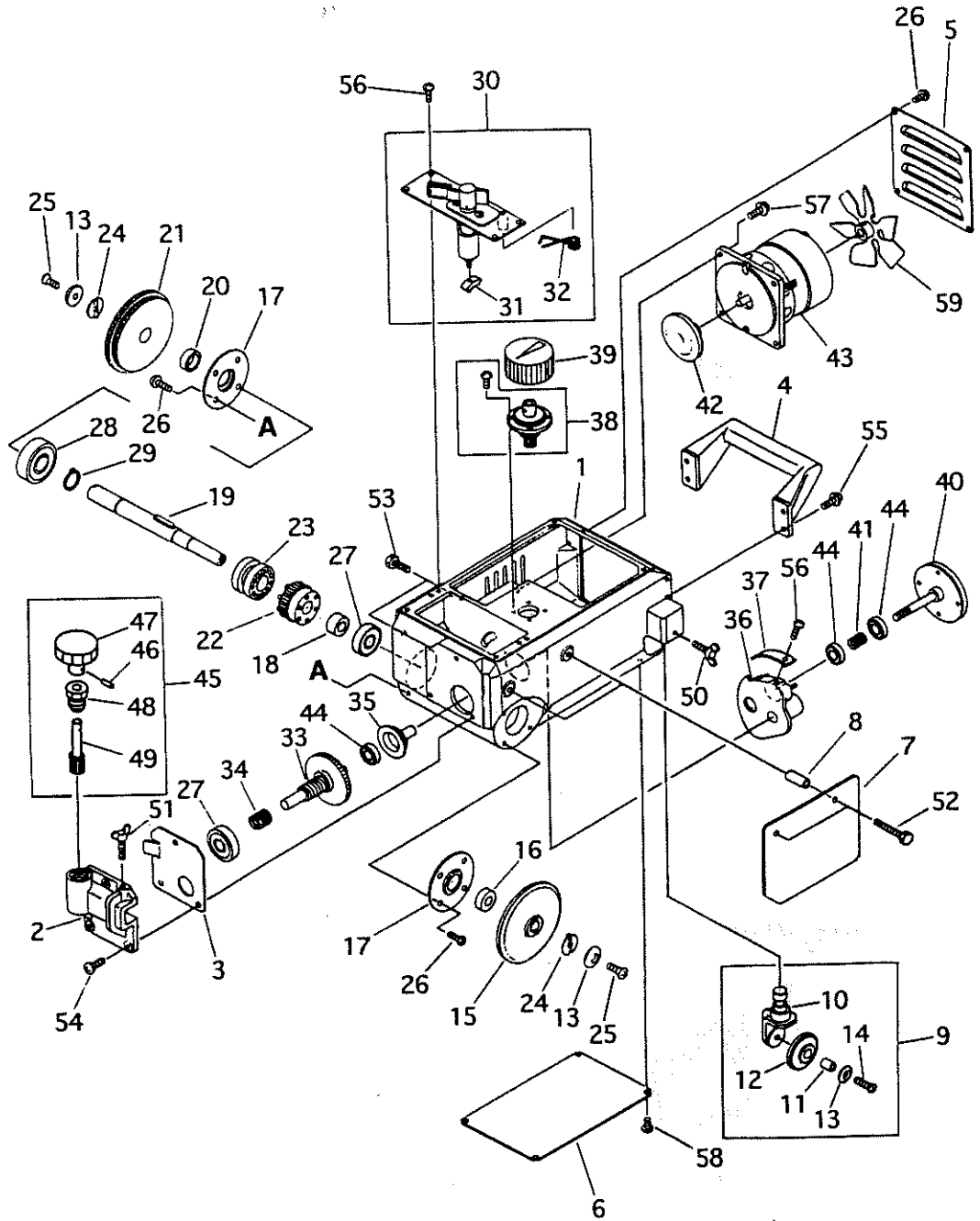


9 Assembly drawing of CG-12BEETLE



10 Parts list

10.1 Main units

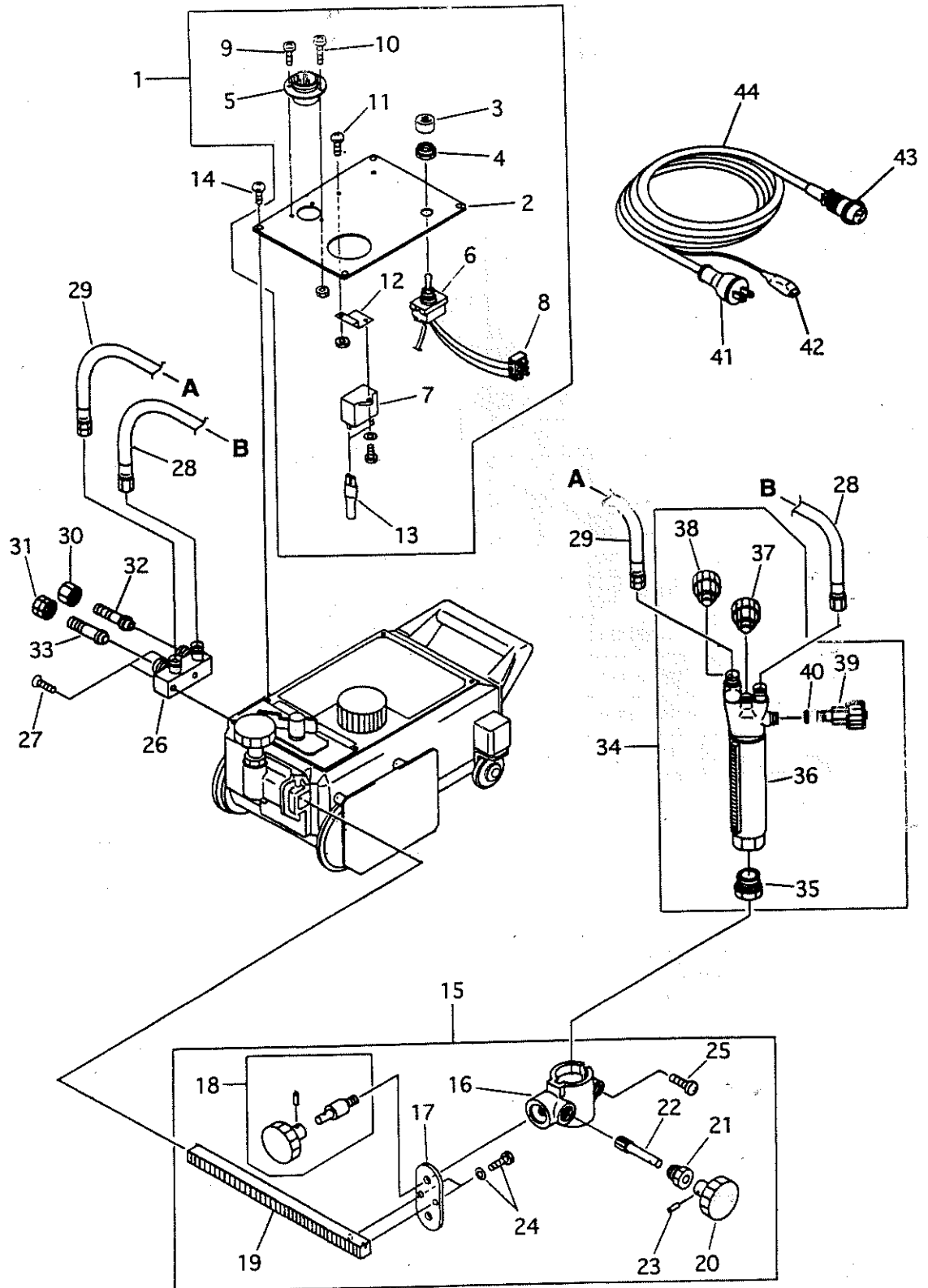


10.1 Main units

ITEM No.	PART NAME	Q'TY	STOCK No.	REMARKS
1	Case	1	60031802	
2	Cross feed holder	1	60031803	
3	Cross feed liner	1	60031804	
4	Handle	1	60031805	
5	Fan cover	1	60031806	
6	Bottom plate	1	60031807	
7	Heat shield	1	60031808	
8	Heat shield collar	2	60031809	
9	Idle wheel unit	1	60031810	
10	Idle wheel bracket	1	60031811	
11	Roller shaft	1	60031812	
12	Roller	1	60030213	
13	Washer	3	60030241	
14	Screw(SM-5X 25)	1	6C510525	
15	Idle wheel	1	60031813	
16	Collar(A)	1	60031814	
17	Beaning retainer	2	60031815	
18	Collar(B)	1	60031816	
19	Drive wheel shaft	1	60031817	with key
20	Collar(C)	1	60031818	
21	Drive wheel	1	60031819	
22	Worm wheel	1	60030247	
23	Clutch	1	60030246	
24	Washer	2	60030242	
25	Screw(SM-5X 15)	2	6C510515	
26	Screw(SP-5X 8)	12	6C520508	
27	Bearing	2	60031836	6300ZZ
28	Bearing	1	60030819	6302ZZ
29	Stop ring(STW-15)	1	6B520150	
30	Clutch lever assembly	1	60031820	
31	Slider	1	60030265	
32	Clutch spring	1	60031821	
33	Worm shaft assembly	1	60031822	
34	Worm spring	1	60031823	

ITEM No.	PART NAME	Q'TY	STOCK No.	REMARKS
35	Speed adjusting shaft	1	60031824	
36	Speed adjusting bracket	1	60031825	
37	Rack	1	60031826	
38	Speed adjusting handle	1	60031827	
39	Speed adjusting knob	1	60031828	
40	Speed adjusting cone assy	1	60031860	
41	Cone spring	1	60031829	
42	Motor disk	1	60031868	
43	Motor	1	60031830	100V-120
	Motor	1	60031832	220V-220
	Motor	1	60031833	230V-240
	Motor	1	60031831	42V
44	Bearing	3	60030269	608ZZ
45	Cross feed pinion unit	1	60031835	
46	Spring pin(PR-2.5X 16)	1	6B022516	
47	handle (ϕ 40)	1	60030823	
48	Binion metal	1	60030318	
49	Pinion	1	60030319	
50	Wing bolt(BS-6X 15)	1	6C110615	
51	Wing bolt(BS-6X 25)	1	6C110625	
52	Hdxagon bolt(BH-6X 30)	2	6C010630	
53	Hexagon bolt(BH-6X 18)	2	6C010618	
54	Screw(SP-6X 14)	3	6C520614	
55	Screw(SP-5X 15)	4	6C530515	with spring washer
56	Screw(SP-4X 10)	10	6C520410	
57	Screw(SP-4X 15)	4	6C520415	
58	Screw(SP-4X 8)	8	6C520408	
59	Motor Fan	1	60030289	with screw

10.2 Electrical, gas and torch slide holder units

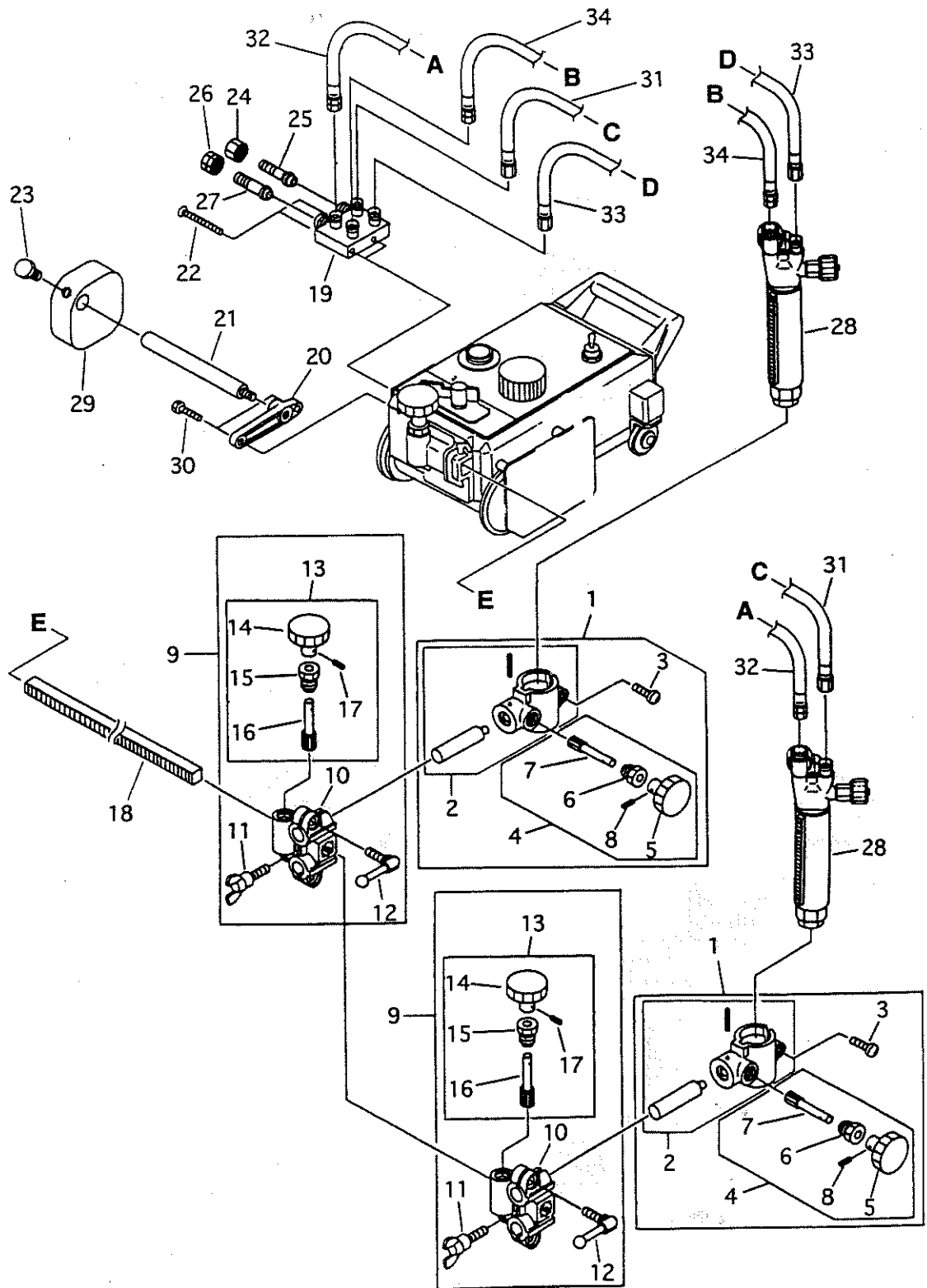


10.2 Electrical, gas and torch slide holder units

ITEM No.	PART NAME	QTY	STOCK No.	REMARKS
1	Panel assembly	1	60031894	100V-120V
	Panel assembly	1	60031695	200V-240V
	Panel assembly	1	60031898	42V
2	Panel	1	60031837	
3	Cap for dust protector	1	60032431	
4	Nut for dust protector	1	60035017	
5	Metal socket	1	60030273	3P
	Metal socket	1	60030274	4P
6	Switch	1	60030283	100V-120V
	Switch	1	60031859	200V-240V 42V
7	Condenser	1	60035207	100V
	Condenser	1	60035219	200V-220V
	Condenser	1	60035209	230V-240V
	Condenser	1	60035210	42V
8	Terminal	1	60031841	100V-120V 3P
	Terminal	1	60030656	200V-240V 4P
9	Screw(SM-3 X6)	2	6C510306	
10	Screw(SM-3 X8)	1	6C620308	with nut
11	Screw(SP-3 X6)	2	6C610306	with nut
12	Condenser fixing plate	1	60032389	
13	Fston terminal	2	60035211	
14	Screw(SP-4 X8)	4	6C520408	
15	Torch holder assembly	1	60031801	
16	Torch holder	1	60031842	
17	Torch holder fixing plate	1	60031843	
18	Holder fixing handle	1	60031844	
19	Rack bar	1	60031845	
20	Handle(φ 40)	1	60030223	
21	Pinion metal	1	60030909	
22	Pinion	1	60030910	
23	Spring pin(PR-2.5 X16)	1	6B022516	
24	Hexagon bolt(BC-5 X14)	2	6C400514	With WS
25	Screw(SP-6 X25)	1	6C520625	
26	Distributor	1	60031846	Except U.S.A KE

ITEM No.	PART NAME	QTY	STOCK No.	REMARKS
26	Distributor	1	60031847	USA only
	Distributor	1	60031873	KE only
27	Screw(SM-5X25)	2	6C510525	
28	Hose for oxygen	1	60030303	M12X600 Except USA,KE
	Hose for oxygen	1	60030304	USA only.
	Hose for oxygen	1	60030305	KE only
29	Hose for gas	1	60030307	M12X600 Except USA
	Hose for gas	1	60030308	USA only
30	Nut of oxygen	1	60015001	Except USA
	Nut for oxygen	1	60015056	KE only
31	Nut for gas	1	60035207	Except USA
	Nut for gas	1	60015054	KE only
32	Hose connector(ox)	1	60015003	Except USA
	Hose connector(ox)	1	60015040	KE only
23	Hose connector(gas)	1	60015004	Except USA
	Hose connector(gas0)	1	60015062	KE only
24	Torch	1	60010050	Except USA,KE
	Torch	1	60010051	USA only
	Torch	1	60010055	KE only
35	Tip fixing nut	1	60005020	
36	Rack for Beetle	1	60010056	With screw
37	V aive for preheat oxygen	1	60015355	Except KE
15	Valve for preneat oxygen	1	60015358	KE only
38	Valve for gas	1	60015356	
39	Valve for jet for oxygen	1	60015401	Except KE
18	Valve for jet for oxygen	1	60015402	KE only
40	O-ring	1	60005026	
41	Rubber plug	1	60030279	
42	Earth clip	1	60030995	
43	Metal plug	1	60030910	3P
	Metal plug	1	60030276	4P
44	Caityre cord assembly	1	60030201	3P
	Caityre cord assembly	1	60030296	4P

10.3 Two torch unit



10.3 Two torch unit

ITEM No.	PART NAME	QTY	STOCK No.	REMARKS
1	Torch holder assembly	2	60031848	
2	Torch holder	2	60031856	
3	Screw(SP-6X25)	2	60030625	
4	Torch up/down handle	2	60030908	
5	Handle(φ40)	2	60030223	
6	Pinion metal	2	60030909	
7	Finion	2	60030273	
8	Spring pin(PR-2.5X16)	2	60022516	
9	Torch cross feed holder	2	60031849	
10	Cross feed holder	2	60031857	
11	Wing bolt	2	60031877	
12	Crank handle	2	60030313	
13	Cross feed pinion unit	2	60031835	
14	Handle(φ 40)	2	60030223	
15	Pinion metal	2	60030318	
16	Pinion	2	60030319	
17	Spring pin(PR-2.5X16)	2	6B022516	
18	Rack bar	1	60031850	
19	Distributor	1	60031852	Except USA,KE
	Distributor	1	60031876	KE only
	Disributor	1	60031853	USA only
20	Fiting	1	60031854	
21	Weight supporter	1	60031855	
22	Screw(SM-5X55)	2	6C510555	
23	Hexagen bolt(BH-10X35)	1	6C011035	
24	Nut for oxygen	1	60015001	Except USA
	Nut for oxygen	1	60015056	KE only
25	Hose cnnrctor(ox)	1	60030223	Except USA
	Hose connector(ox)	1	60015040	KE only
26	Nut for gas	1	60015002	Except USA
	Nut for gas	1	60015054	KE only
27	Hose commector(gas)	1	60015004	Except USA
	Hose connector(gas)	1	60015062	KE only

ITEM No.	PART NAME	QTY	STOCK No.	REMARKS
28	Torch	2	60010050	Except USA,KE
	Torch	2	60010051	USA only
	Torch	2	60010055	KE only
29	Weight	1	60030381	
30	Hexagobolt(BH-6X40)	2	6C010640	
31	Hose for oxyen	1	60030322	M10X900 Except USA,KE
	Hose for oxygen	1	60030323	USA only
	Hose for oxygen	1	60030324	KE only
32	Hose for gas	1	60030326	M10X900 Left Except USA,KE
	Hose for gas	1	60030327	USA only
33	Hose for oxygen	1	60030303	M12X600
	Hose for oxygen	1	60030304	USA only
	Hose for oxygen	1	60030305	KE only
34	Hose for gas	1	60030307	M12X600 Left
	Hose for gas	1	60030308	USA only

11 Cutting data

106(STANDARD SPEED) For Propane

Metric System

PLATE THICKNESS (mm)	TIP SIZE	CUTTING SPEED (mmv/min)	OXYGEN PRESSURE (kg/cm ²) / (Mpa)		FUEL GAS PRESSURE (kg/cm ²) / (Mpa)	KERF WIDTH (mm)
			CUTTING	PR-HEAT		
3	00	680	1.5 / 0.15	1.5 / 0.15	0.2 / 0.02	1.0
6	0	610	2.0 / 0.2	2.0 / 0.2	0.2 / 0.02	1.3
10	1	560	2.0 / 0.2	2.0 / 0.2	0.2 / 0.02	1.0
12.5	2	530	2.5 / 0.25	2.5 / 0.25	0.2 / 0.02	1.5
19	2	460	3.0 / 0.3	3.0 / 0.3	0.25 / 0.025	2.0
25	3	430	3.0 / 0.3	3.0 / 0.3	0.25 / 0.025	2.0
38	4	355	3.0 / 0.3	3.0 / 0.3	0.25 / 0.025	2.3
50	5	320	3.0 / 0.3	3.0 / 0.3	0.25 / 0.025	2.8
60	5	280	1.0 / 0.4	4.0 / 0.4	0.3 / 0.03	3.0
75	5	250	1.0 / 0.4	4.0 / 0.4	0.3 / 0.03	3.0
100	6	200	1.0 / 0.4	4.0 / 0.4	0.3 / 0.03	3.6
125	6	180	4.0 / 0.4	4.0 / 0.4	0.4 / 0.04	3.6
150	7	150	4.5 / 0.45	4.5 / 0.45	0.4 / 0.04	4.1
200	7	130	4.5 / 0.45	4.5 / 0.45	0.4 / 0.04	4.3
250	8	80	4.5 / 0.45	4.5 / 0.45	0.4 / 0.04	5.6
300	8	50	4.5 / 0.45	4.5 / 0.45	0.4 / 0.04	6.6

Inch System

PLATE THICKNESS (inches)	TIP SIZE	CUTTING SPEED (in/min)	OXYGEN P.S.I.G		FUEL GAS P.S.I.G	KERF WIDTH (inches)
			CUTTING	PR-HEAT		
1/8	00	27	20	20	2.8	0.04
1/4	0	24	30	30	2.8	0.05
3/8	1	22	30	30	2.8	0.06
1/2	2	21	40	40	2.8	0.07
3/4	2	18	45	45	3.6	0.08
1	3	17	45	45	3.6	0.08
1-1/2	4	14	45	45	3.6	0.09
2	5	12.5	45	45	4.3	0.11
2-1/2	5	11	55	55	4.3	0.12
3	5	10	55	55	4.3	0.12
4	6	8	55	55	5.7	0.14
5	6	7	55	55	5.7	0.14
6	7	6	65	65	5.7	0.16
8	7	5	65	65	5.7	0.17
10	8	3	65	65	5.7	0.23
12	8	2	65	65	5.7	0.27

102-D7(HIGH SPEED) For Acetylene

Metric System

PLATE THICKNESS (mm)	TIP SIZE	CUTTING SPEED (mmv/min)	OXYGEN PRESSURE (kg/cm ²) / (Mpa)		FUEL GAS PRESSURE (kg/cm ²) / (Mpa)	KERF WIDTH (mm)
			CUTTING	PR-HEAT		
3	00	980	7.0 / 0.7	1.5 / 0.15	0.2 / 0.02	0.8
6	0	740	7.0 / 0.7	2.0 / 0.2	0.2 / 0.02	1.0
10	1	680	7.0 / 0.7	2.0 / 0.2	0.2 / 0.02	1.3
12.5	2	630	7.0 / 0.7	2.5 / 0.25	0.2 / 0.02	1.3
19	2	560	7.0 / 0.7	3.0 / 0.3	0.25 / 0.025	1.5
25	3	510	7.0 / 0.7	3.0 / 0.3	0.25 / 0.025	1.8
38	4	460	7.0 / 0.7	3.0 / 0.3	0.25 / 0.025	2.0
50	5	410	7.0 / 0.7	3.0 / 0.3	0.25 / 0.025	2.6
60	5	360	7.0 / 0.7	4.0 / 0.4	0.3 / 0.03	2.8
75	5	320	7.0 / 0.7	4.0 / 0.4	0.3 / 0.03	2.8
100	6	250	7.0 / 0.7	4.0 / 0.4	0.3 / 0.03	3.3
125	6	230	7.0 / 0.7	4.0 / 0.4	0.4 / 0.04	3.6
150	7	180	7.0 / 0.7	4.5 / 0.45	0.4 / 0.04	3.6
200	7	140	7.0 / 0.7	4.5 / 0.45	0.4 / 0.04	4.6
250	8	100	7.0 / 0.7	4.5 / 0.45	0.4 / 0.04	5.1
300	8	80	7.0 / 0.7	4.5 / 0.45	0.4 / 0.04	6.1

Inch System

PLATE THICKNESS (inches)	TIP SIZE	CUTTING SPEED (in/min)	OXYGEN P.S.I.G		FUEL GAS P.S.I.G	KERF WIDTH (inches)
			CUTTING	PR-HEAT		
1/8	00	31.5	100	20	2.8	0.03
1/4	0	29	100	30	2.8	0.04
3/8	1	27	100	30	2.8	0.05
1/2	2	25	100	40	2.8	0.05
3/4	2	22	100	45	3.6	0.06
1	3	20	100	45	3.6	0.07
1-1/2	4	18	100	45	3.6	0.08
2	5	16	100	45	4.3	0.10
2-1/2	5	14	100	55	4.3	0.11
3	5	12.5	100	55	4.3	0.11
4	6	10	100	55	5.7	0.13
5	6	9	100	55	5.7	0.14
6	7	7	100	65	5.7	0.14
8	7	5.5	100	65	5.7	0.18
10	8	4	100	65	5.7	0.20
12	8	4	100	65	5.7	0.24

NOTE: 1) All pressures are torch inlet pressures.

2) Oxygen purity is minimum of 99.7%; propane is minimum of JIS Grade 3.

3) Depending on the surface condition of the steel plate (scale, paint), either increase the fuel gas pressure or decrease cutting speed. Also, when precision cutting is required, adjust all data.